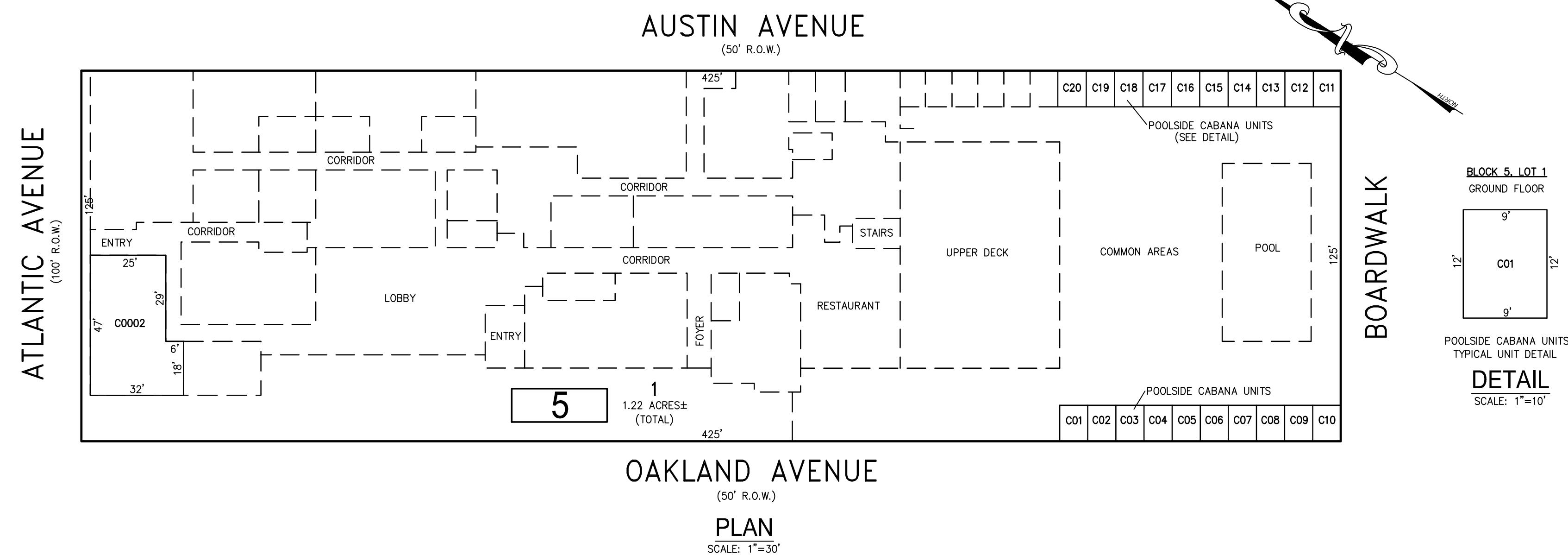
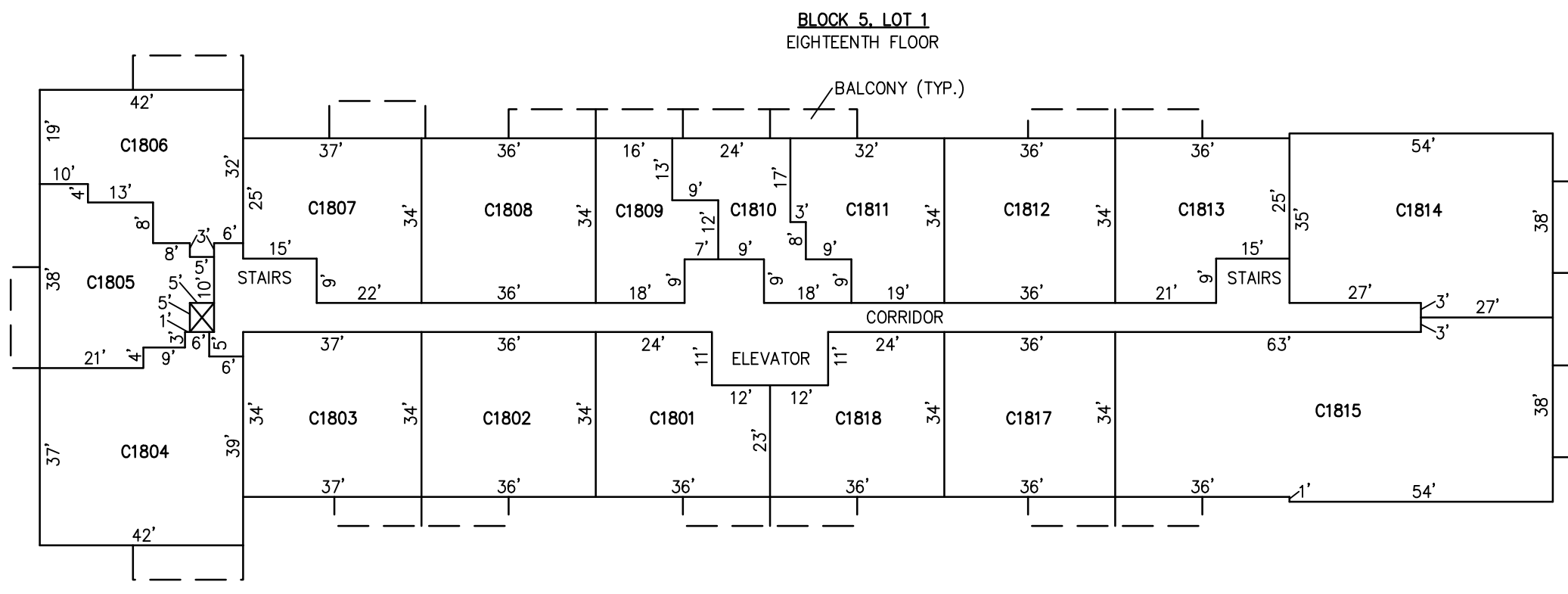
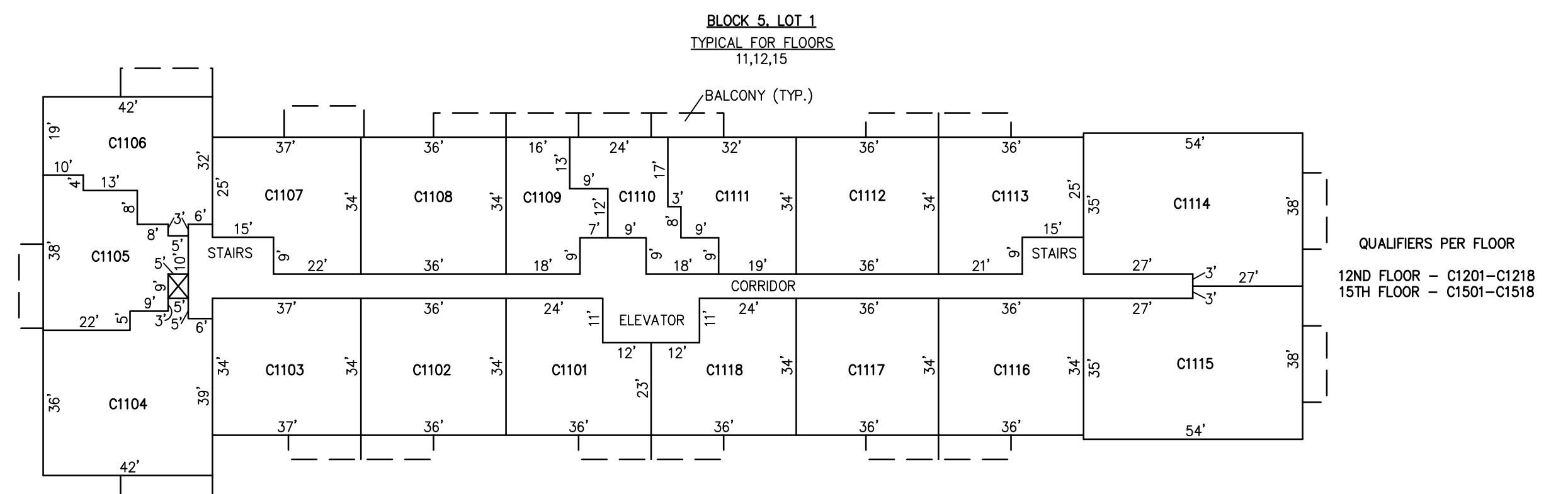
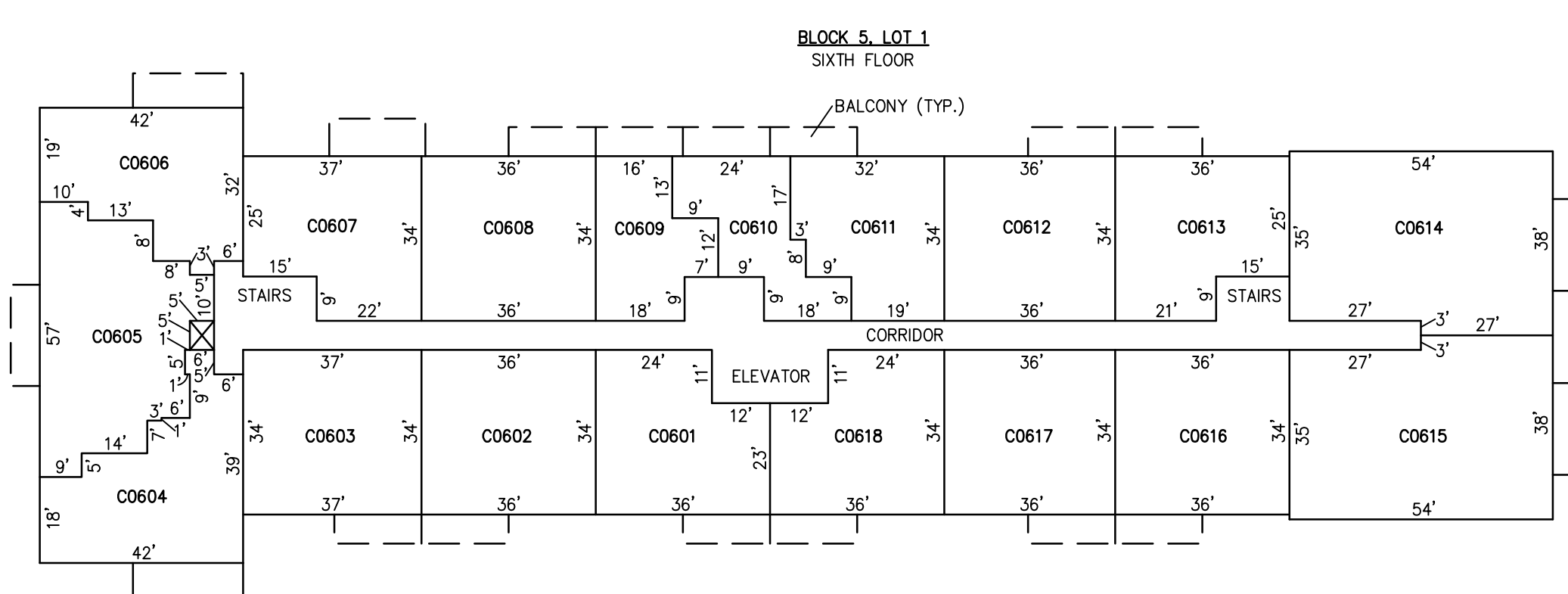
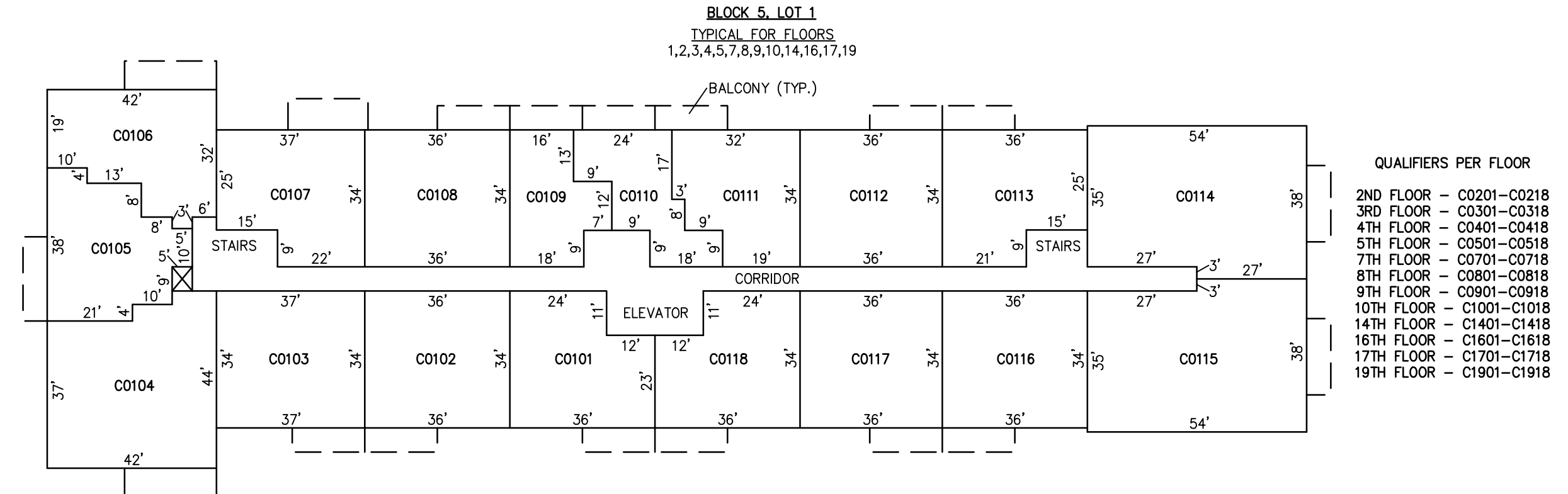


REVISIONS		
DATE	NAME	NO.
01-22-2020	CHARLES E. ADAMSON	42627

NOTE:
THIS SHEET HAS BEEN DRAWN USING COMPUTER AIDED DRAFTING/DESIGN (CAD/D) AND COORDINATE GEOMETRY (COGO).



CONDO QUALIFIER	SQUARE FOOTAGE	CONDO QUALIFIER	SQUARE FOOTAGE	CONDO QUALIFIER	SQUARE FOOTAGE	CONDO QUALIFIER	SQUARE FOOTAGE
C0002	1355 SF.	C0601	1091 SF.	C1101	1091 SF.	C1701	1091 SF.
C0001	1091 SF.	C0602	1224 SF.	C1102	1224 SF.	C1702	1224 SF.
C0102	1224 SF.	C0603	1246 SF.	C1103	1246 SF.	C1703	1246 SF.
C0103	1246 SF.	C0604	1203 SF.	C1104	1643 SF.	C1704	1643 SF.
C0104	1643 SF.	C0605	1493 SF.	C1105	1053 SF.	C1705	1053 SF.
C0105	1053 SF.	C0606	1124 SF.	C1106	1124 SF.	C1706	1124 SF.
C0106	1124 SF.	C0607	1080 SF.	C1107	797 SF.	C1707	1080 SF.
C0107	1080 SF.	C0608	1228 SF.	C1108	1511 SF.	C1708	1228 SF.
C0108	1228 SF.	C0609	665 SF.	C1109	665 SF.	C1709	665 SF.
C0109	665 SF.	C0610	681 SF.	C1110	681 SF.	C1710	681 SF.
C0110	681 SF.	C0611	953 SF.	C1111	953 SF.	C1711	953 SF.
C0111	953 SF.	C0612	1208 SF.	C1112	1208 SF.	C1712	1208 SF.
C0112	1208 SF.	C0613	1063 SF.	C1113	1063 SF.	C1713	1063 SF.
C0113	1063 SF.	C0614	1988 SF.	C1114	1988 SF.	C1714	1988 SF.
C0114	1988 SF.	C0615	1960 SF.	C1115	1960 SF.	C1715	1960 SF.
C0115	1960 SF.	C0616	1224 SF.	C1116	1224 SF.	C1716	1224 SF.
C0116	1224 SF.	C0617	1224 SF.	C1117	1224 SF.	C1717	1224 SF.
C0117	1224 SF.	C0618	1104 SF.	C1118	1104 SF.	C1718	1104 SF.
C0118	1104 SF.	C0701	1091 SF.	C1201	1091 SF.	C1801	1091 SF.
C0201	1091 SF.	C0702	1224 SF.	C1202	1224 SF.	C1802	1224 SF.
C0202	1224 SF.	C0703	1246 SF.	C1203	1246 SF.	C1803	1246 SF.
C0203	1246 SF.	C0704	1643 SF.	C1204	1643 SF.	C1804	1643 SF.
C0204	1643 SF.	C0705	1053 SF.	C1205	1053 SF.	C1805	1053 SF.
C0205	1053 SF.	C0706	1124 SF.	C1206	1124 SF.	C1806	1124 SF.
C0206	1124 SF.	C0707	1080 SF.	C1207	797 SF.	C1807	797 SF.
C0207	1080 SF.	C0708	1228 SF.	C1208	1511 SF.	C1808	1228 SF.
C0208	1228 SF.	C0709	665 SF.	C1209	665 SF.	C1809	665 SF.
C0209	665 SF.	C0710	681 SF.	C1210	681 SF.	C1810	681 SF.
C0210	681 SF.	C0711	953 SF.	C1211	953 SF.	C1811	953 SF.
C0211	953 SF.	C0712	1208 SF.	C1212	1208 SF.	C1812	1208 SF.
C0212	1208 SF.	C0713	1063 SF.	C1213	1063 SF.	C1813	1063 SF.
C0213	1063 SF.	C0714	1988 SF.	C1214	1988 SF.	C1814	2006 SF.
C0214	1988 SF.	C0715	1960 SF.	C1215	1960 SF.	C1815	3184 SF.
C0215	1960 SF.	C0716	1224 SF.	C1216	1224 SF.	C1817	1224 SF.
C0216	1224 SF.	C0717	1224 SF.	C1217	1224 SF.	C1818	1224 SF.
C0217	1224 SF.	C0718	1104 SF.	C1218	1104 SF.	C1901	1091 SF.
C0218	1104 SF.	C0801	1091 SF.	C1401	1091 SF.	C1902	1224 SF.
C0301	1091 SF.	C0802	1224 SF.	C1402	1224 SF.	C1903	1246 SF.
C0302	1224 SF.	C0803	1246 SF.	C1403	1246 SF.	C1904	1643 SF.
C0303	1246 SF.	C0804	1643 SF.	C1404	1643 SF.	C1905	1053 SF.
C0304	1643 SF.	C0805	1053 SF.	C1405	1053 SF.	C1906	1124 SF.
C0305	1053 SF.	C0806	1124 SF.	C1406	1124 SF.	C1907	1080 SF.
C0306	1124 SF.	C0807	1080 SF.	C1407	1080 SF.	C1908	1228 SF.
C0307	1080 SF.	C0808	1228 SF.	C1408	1228 SF.	C1909	665 SF.
C0308	1228 SF.	C0809	665 SF.	C1409	665 SF.	C1910	681 SF.
C0309	665 SF.	C0810	681 SF.	C1410	681 SF.	C1911	953 SF.
C0310	681 SF.	C0811	953 SF.	C1411	953 SF.	C1912	1208 SF.
C0311	953 SF.	C0812	1208 SF.	C1412	1208 SF.	C1913	1063 SF.
C0312	1208 SF.	C0813	1063 SF.	C1413	1063 SF.	C1914	1988 SF.
C0313	1063 SF.	C0814	1988 SF.	C1414	1988 SF.	C1915	1960 SF.
C0314	1988 SF.	C0815	1960 SF.	C1415	1960 SF.	C1916	1224 SF.
C0315	1960 SF.	C0816	1224 SF.	C1416	1224 SF.	C1917	1224 SF.
C0316	1224 SF.	C0817	1224 SF.	C1417	1224 SF.	C1918	1104 SF.
C0317	1224 SF.	C0818	1104 SF.	C1418	1104 SF.	C01	116 SF.
C0318	1104 SF.	C0901	1091 SF.	C1501	1091 SF.	C02	116 SF.
C0401	1091 SF.	C0902	1224 SF.	C1502	1224 SF.	C03	116 SF.
C0402	1224 SF.	C0903	1246 SF.	C1503	1246 SF.	C04	116 SF.
C0403	1246 SF.	C0904	1643 SF.	C1504	1643 SF.	C05	116 SF.
C0404	1643 SF.	C0905	1053 SF.	C1505	1053 SF.	C06	116 SF.
C0405	1053 SF.	C0906	1124 SF.	C1506	1124 SF.	C07	116 SF.
C0406	1124 SF.	C0907	1080 SF.	C1507	797 SF.	C08	116 SF.
C0407	1080 SF.	C0908	1228 SF.	C1508	1511 SF.	C09	116 SF.
C0408	1228 SF.	C0909	665 SF.	C1509	665 SF.	C10	116 SF.
C0409	665 SF.	C0910	681 SF.	C1510	681 SF.	C11	116 SF.
C0410	681 SF.	C0911	953 SF.	C1511	953 SF.	C13	116 SF.
C0411	953 SF.	C0912	1208 SF.	C1512	1208 SF.	C14	116 SF.
C0412	1208 SF.	C0913	1063 SF.	C1513	1063 SF.	C15	116 SF.
C0413	1063 SF.	C0914	1988 SF.	C1514	1988 SF.	C16	116 SF.
C0414	1988 SF.	C0915	1960 SF.	C1515	1960 SF.	C17	116 SF.
C0415	1960 SF.	C0916	1224 SF.	C1516	1224 SF.	C18	116 SF.
C0416	1224 SF.	C0917	1224 SF.	C1517	1224 SF.	C19	116 SF.
C0417	1224 SF.	C0918	1104 SF.	C1518	1104 SF.	C20	116 SF.
C0418	1104 SF.	C1001	1091 SF.	C1601	1091 SF.		
C0501	1091 SF.	C1002	1224 SF.	C1602	1224 SF.		
C0502	1224 SF.	C1003	1246 SF.	C1603	1246 SF.		
C0503	1246 SF.	C1004	1643 SF.	C1604	1643 SF.		
C0504	1643 SF.	C1005	1053 SF.	C1605	1053 SF.		
C0505	1053 SF.	C1006	1124 SF.	C1606	1124 SF.		
C0506	1124 SF.	C1007	1080 SF.	C1607	1080 SF.		
C0507	1080 SF.	C1008	1228 SF.	C1608	1228 SF.		
C0508	1228 SF.	C1009	665 SF.	C1609	665 SF.		
C0509	665 SF.	C1010	681 SF.	C1610	681 SF.		
C0510	681 SF.	C1011	953 SF.	C1611	953 SF.		
C0511	953 SF.	C1012	1208 SF.	C1612	1208 SF.		
C0512	1208 SF.	C1013	1063 SF.	C1613	1063 SF.		
C0513	1063 SF.	C1014	1988 SF.	C1614	1988 SF.		
C0514	1988 SF.	C1015	1960 SF.	C1615	1960 SF.		
C0515	1960 SF.	C1016	1224 SF.	C1616	1224 SF.		
C0516	1224 SF.	C1017	1224 SF.	C1617	1224 SF.		
C0517	1224 SF.	C1018	1104 SF.	C1618	1104 SF.		
C0518	1104 SF.						



DETAILS
SCALE: 1"=30"
BLOCK 5, LOT 1
5000 BOARDWALK CONDOMINIUM

BLOCK 5, LOT 1
SEE SHEET 1

"THIS TAX MAP SHEET HAS BEEN DIGITALLY REVISED USING COMPUTER-AIDED DRAFTING/DESIGN (CADD) & COORDINATE GEOMETRY (COGO). IT IS BASED ON THE ORIGINAL DIGITALLY DRAWN TAX MAP PLATE BEARING THE OFFICIAL NEW JERSEY DIVISION TAXATION APPROVAL STAMP WITH APPROVAL DATE JULY 20, 2016. SERIAL NUMBER 1070 AND SIGNATURE OF JUDY P. MILLER, CTA, CHIEF PROPERTY ADMINISTRATION AND SHELLY REILLY, CTA, PRINCIPAL FIELD REPRESENTATIVE. THE ORIGINAL DIGITALLY DRAWN TAX MAP PLATE WITH THE OFFICIAL APPROVAL STAMP IS ON FILE WITH REMINGTON & VERNICK ENGINEERS."

TAX MAP
CITY OF VENTNOR
ATLANTIC COUNTY NEW JERSEY
SCALE: NOTED DATE: 2-19-2015
CHARLES E. ADAMSON NJ PROFESSIONAL LAND SURVEYOR LIC. NO. 42627
RV & W
REMINGTON, VERNICK & WALBERG ENGINEERS
845 N. MAIN STREET, PLEASANTVILLE, NJ 08232
(609) 645-700, FAX (609) 645-7076
WEB SITE ADDRESS: WWW.RVW.COM
TO SHOW CONDITIONS AS OF 2-03-2023