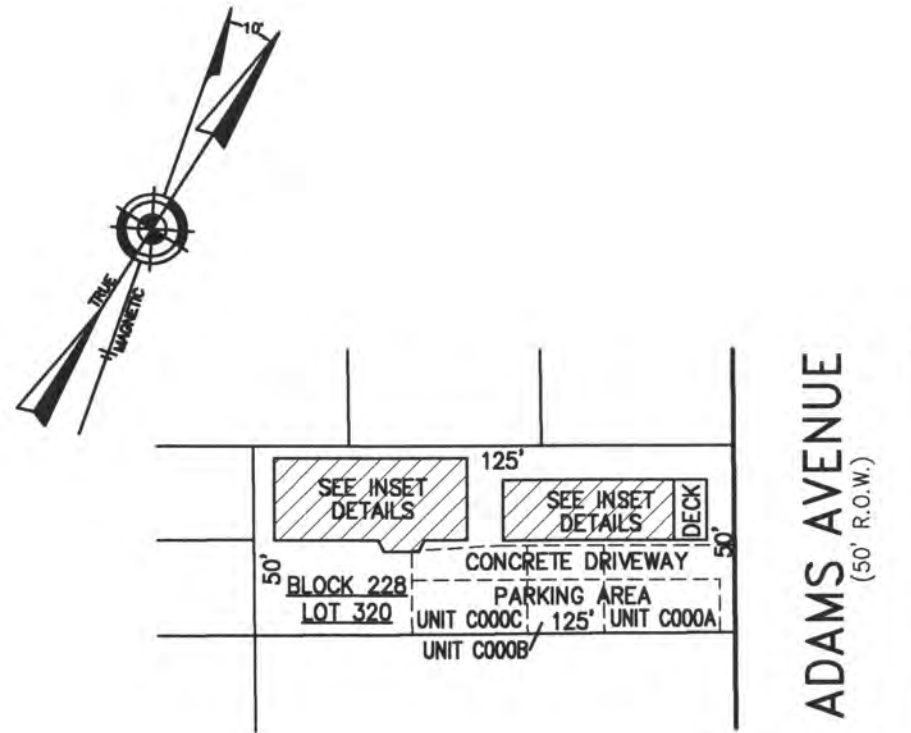
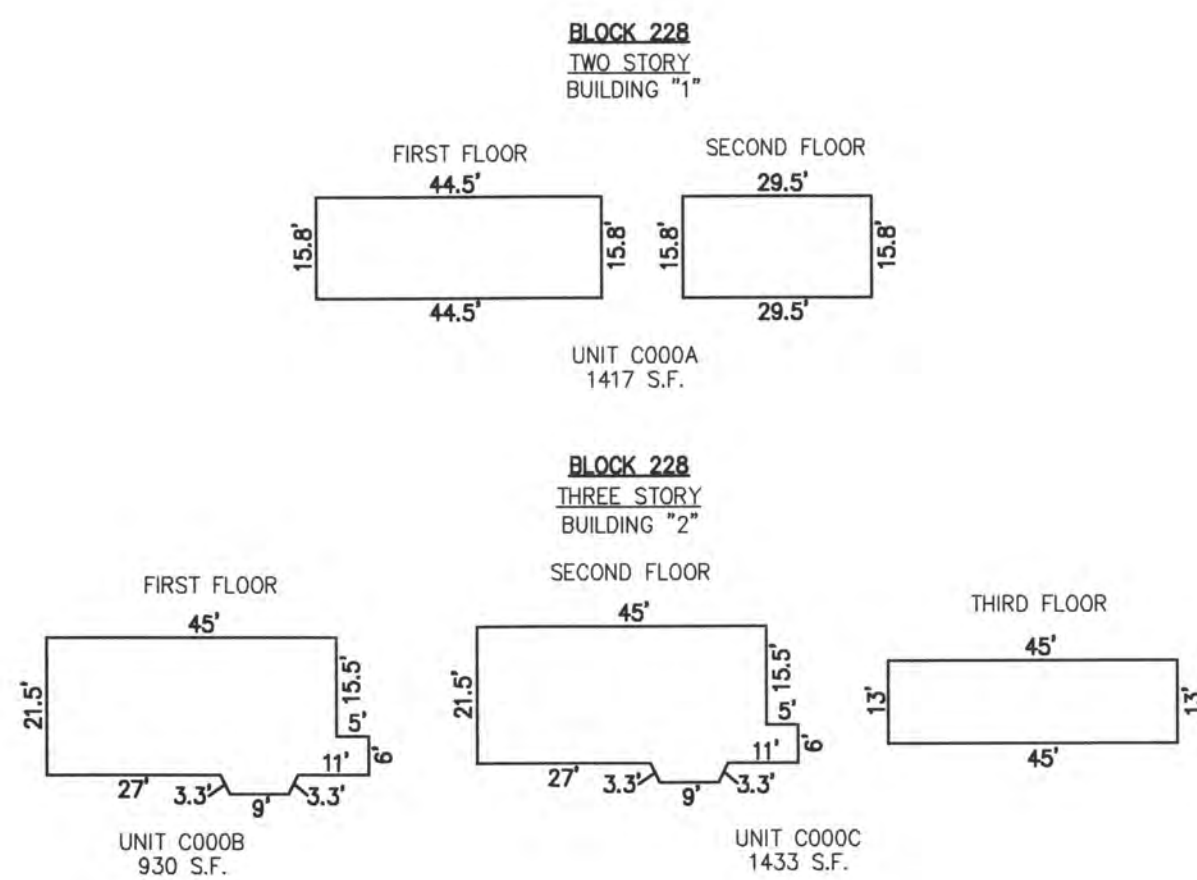


REVISIONS		
4-13-2007	CRAIG F. REMINGTON	23924



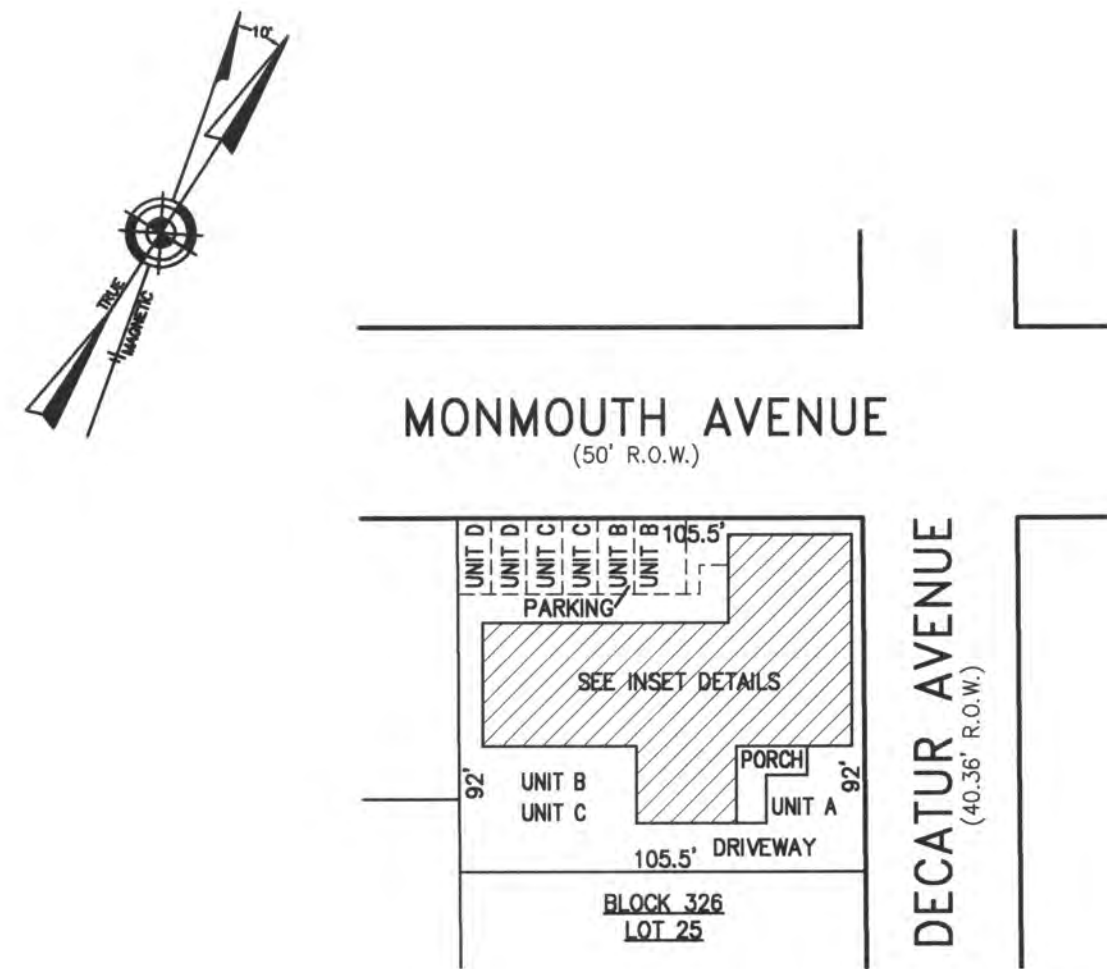
UNIT NO.	LOT NO.
C000A	C-01
C000B	C-02
C000C	C-03

PLAN
SCALE: 1"=50'



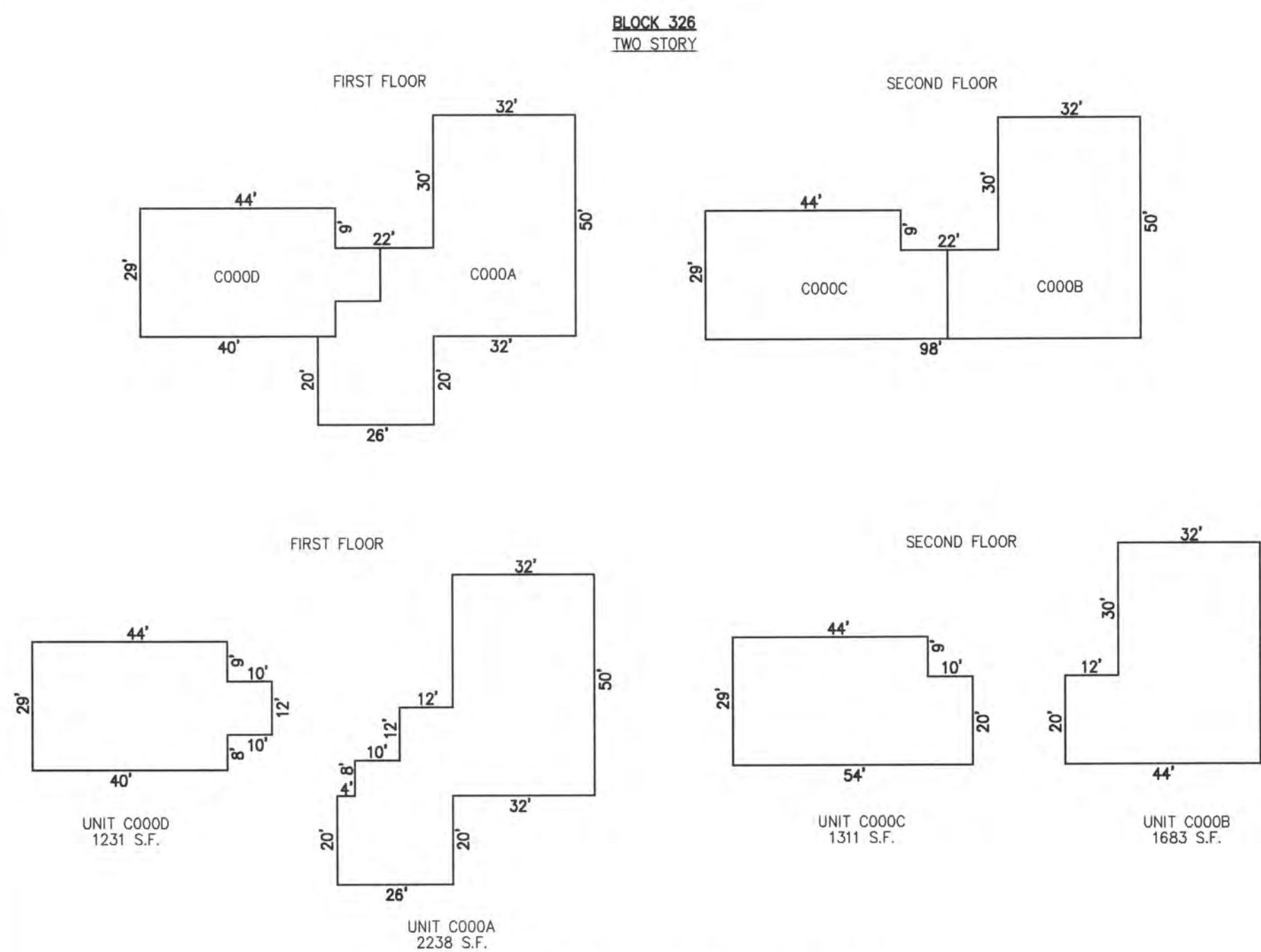
DETAILS
SCALE: 1"=30'

BLOCK 228, LOT 320
24 NORTH ADAMS AVENUE CONDOMINIUM
24 NORTH ADAMS AVENUE
INSET "1 Q"



UNIT NO.	LOT NO.
C000A	C-01
C000B	C-02
C000C	C-03
C000D	C-04

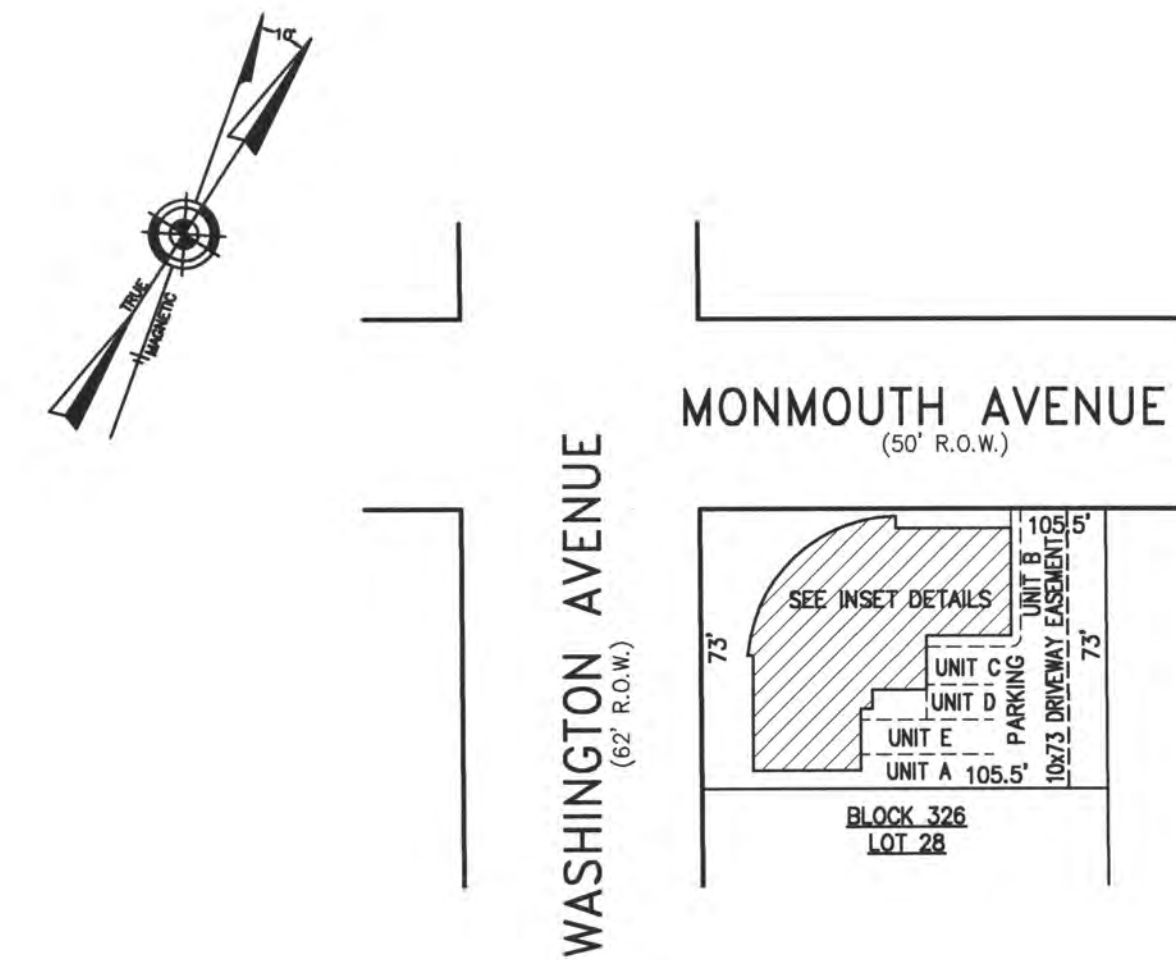
PLAN
SCALE: 1"=50'



DETAILS
SCALE: 1"=30'

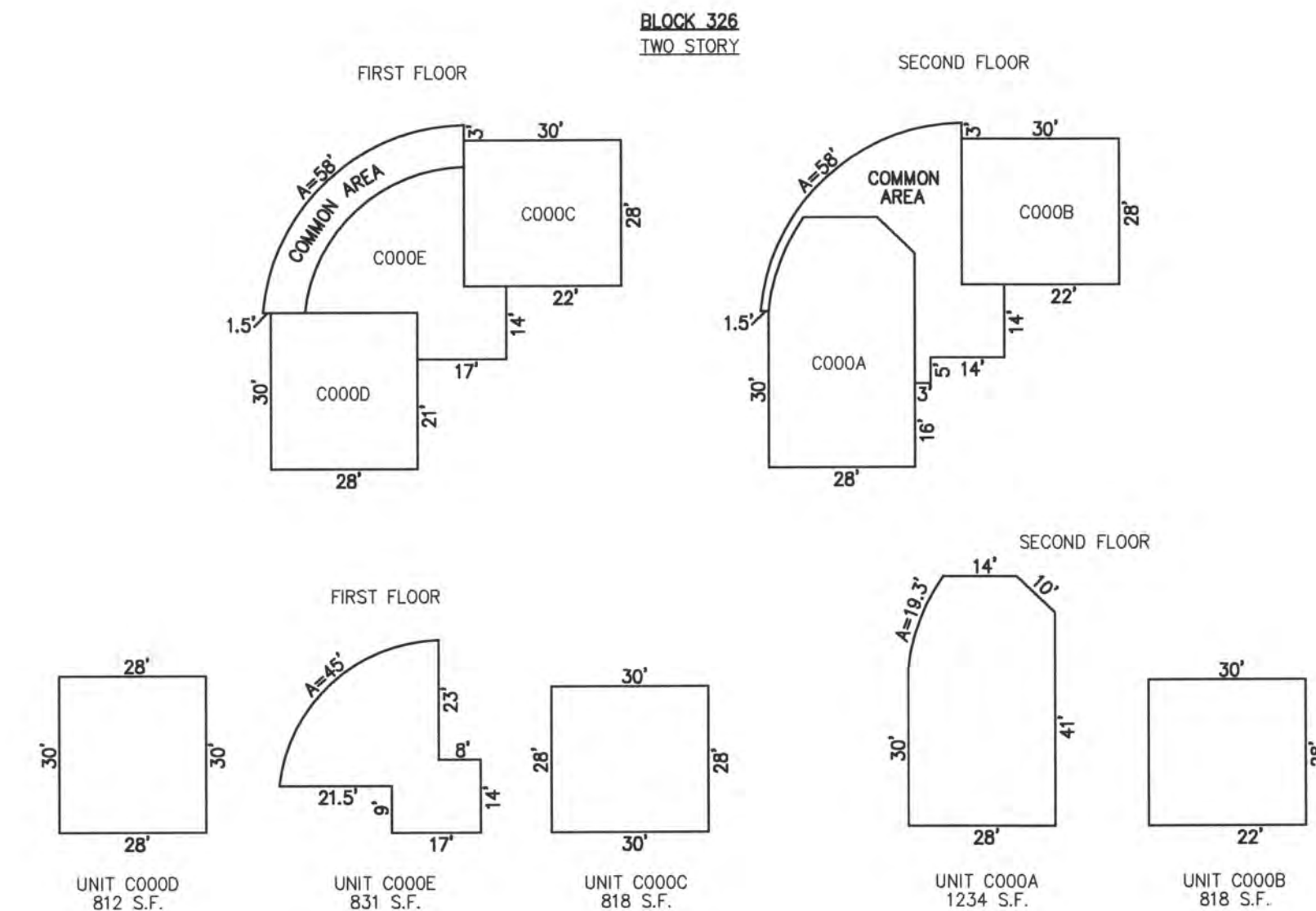
BLOCK 326, LOT 25
9200 MONMOUTH AVENUE CONDOMINIUM
9200 MONMOUTH AVENUE
INSET "1 R"

CONDOMINIUM DETAILS AND DIMENSIONS
BLOCK 228, LOT 320
BLOCK 326, LOT 25
BLOCK 326, LOT 28
SEE PLATE 5



UNIT NO.	LOT NO.
C000A	C-01
C000B	C-02
C000C	C-03
C000D	C-04
C000E	C-05

PLAN
SCALE: 1"=50'



DETAILS
SCALE: 1"=30'

BLOCK 326, LOT 28
SOUTH BAY VISTA CONDOMINIUM
127 NORTH WASHINGTON AVENUE
INSET "1 S"

"THIS TAX MAP PLATE HAS BEEN DIGITALLY DRAWN USING COMPUTER-AIDED DRAFTING/DESIGN (CADD) & COORDINATE GEOMETRY (COGO). IT IS BASED ON THE ORIGINAL DIGITALLY DRAWN TAX MAP PLATE BEARING THE OFFICIAL NEW JERSEY DIVISION TAXATION APPROVAL STAMP WITH APPROVAL DATE 6-3-2005 SERIAL NUMBER 846 AND SIGNATURES OF SIGNERS' THOMAS J. REILLY, CHIEF, LOCAL PROPERTY, FIELD ASSISTANCE. SANTO C. DIDONATO, SUPERVISING FIELD REPRESENTATIVE. THE ORIGINAL DIGITALLY DRAWN TAX MAP PLATE WITH THE OFFICIAL APPROVAL STAMP IS ON FILE WITH REMINGTON, VERNICK & WALBERG ENGINEERS."

TAX MAP
CITY OF MARGATE

ATLANTIC COUNTY NEW JERSEY
SCALE: AS NOTED DATE: 1-30-2004

CRAIG F. REMINGTON LAND SURVEYOR LIC. NO. 23924



REMINGTON, VERNICK & WALBERG ENGINEERS
24 GA 28048700
845 N. MAIN STREET, PLEASANTVILLE, NJ 08232
(609) 645-7100, FAX (609) 645-7076
WEB SITE ADDRESS: WWW.RVE.COM