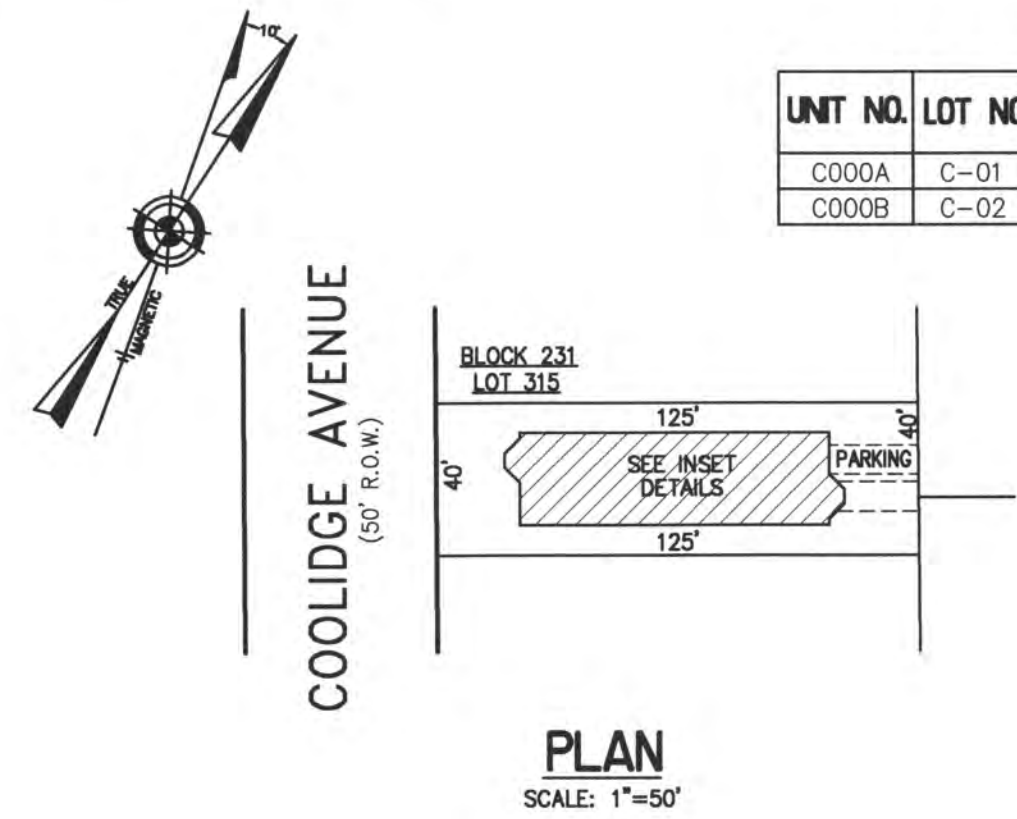
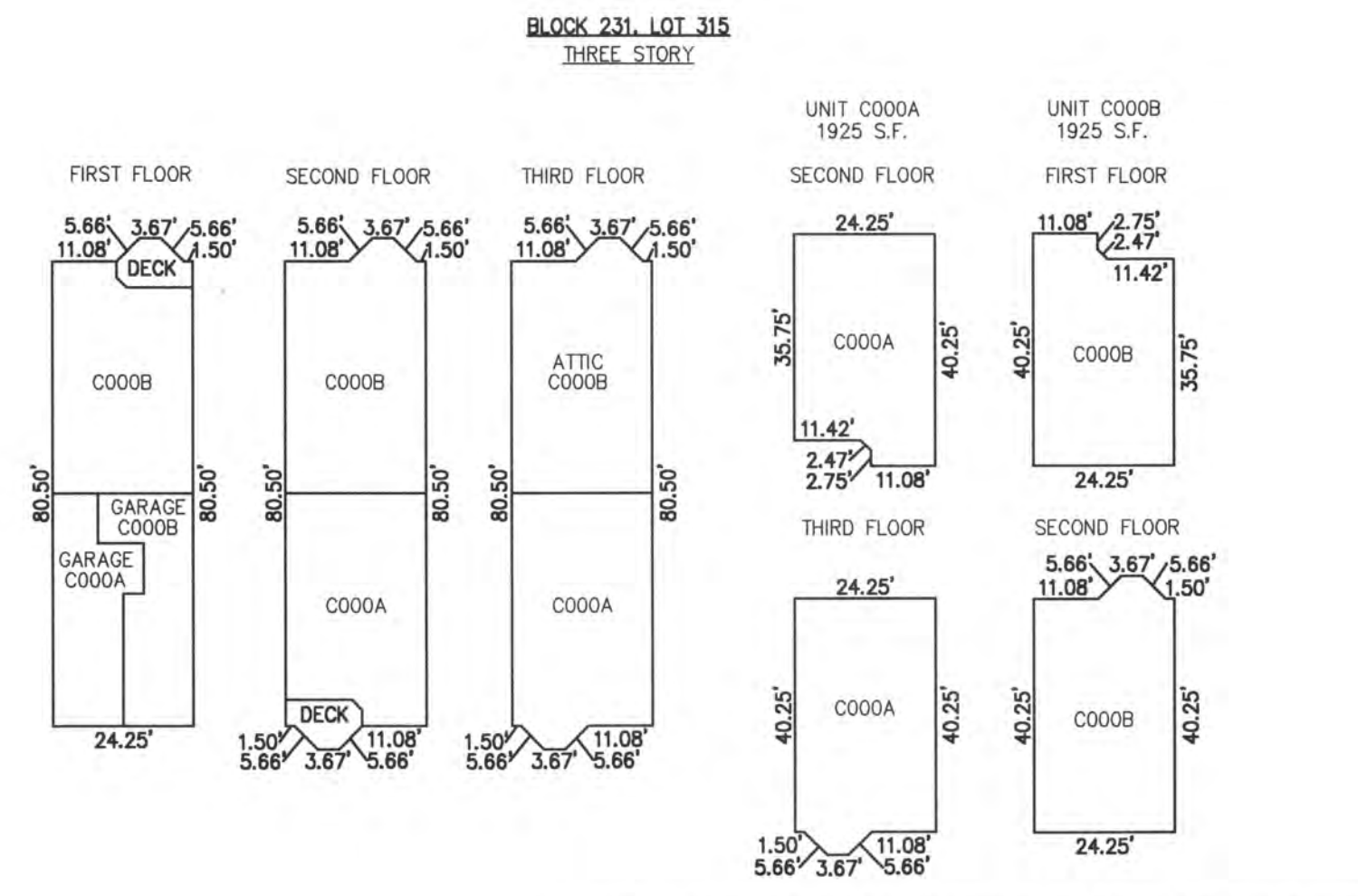


REVISIONS		
8-31-2009	CRAIG F. REMINGTON	23924

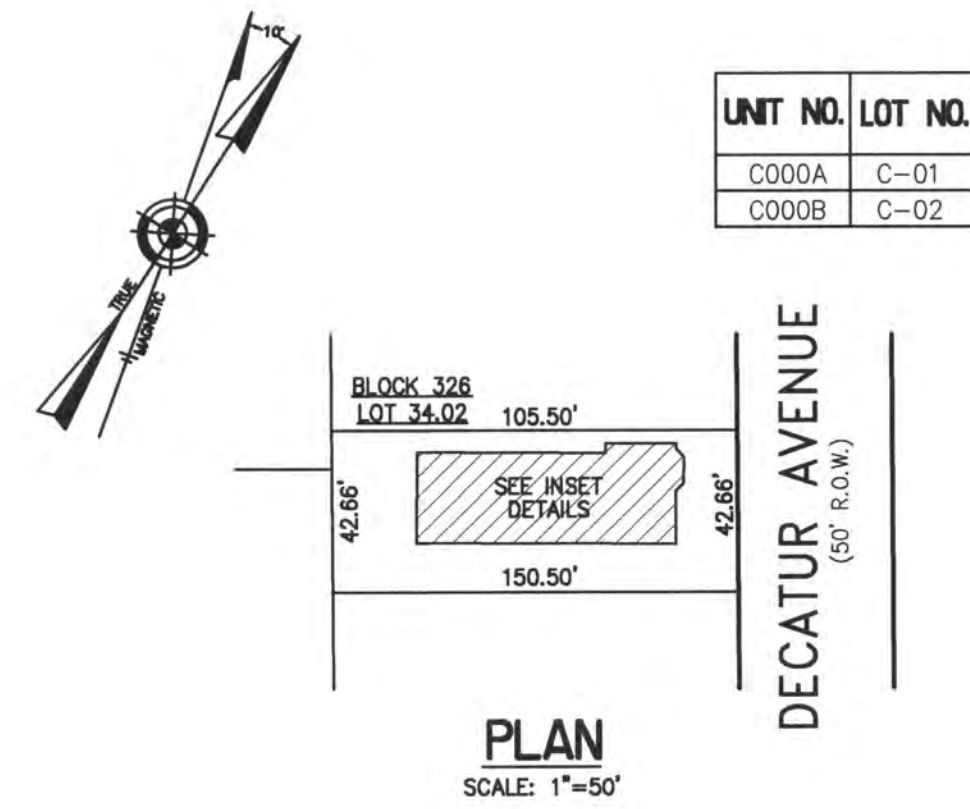


UNIT NO.	LOT NO.
C000A	C-01
C000B	C-02

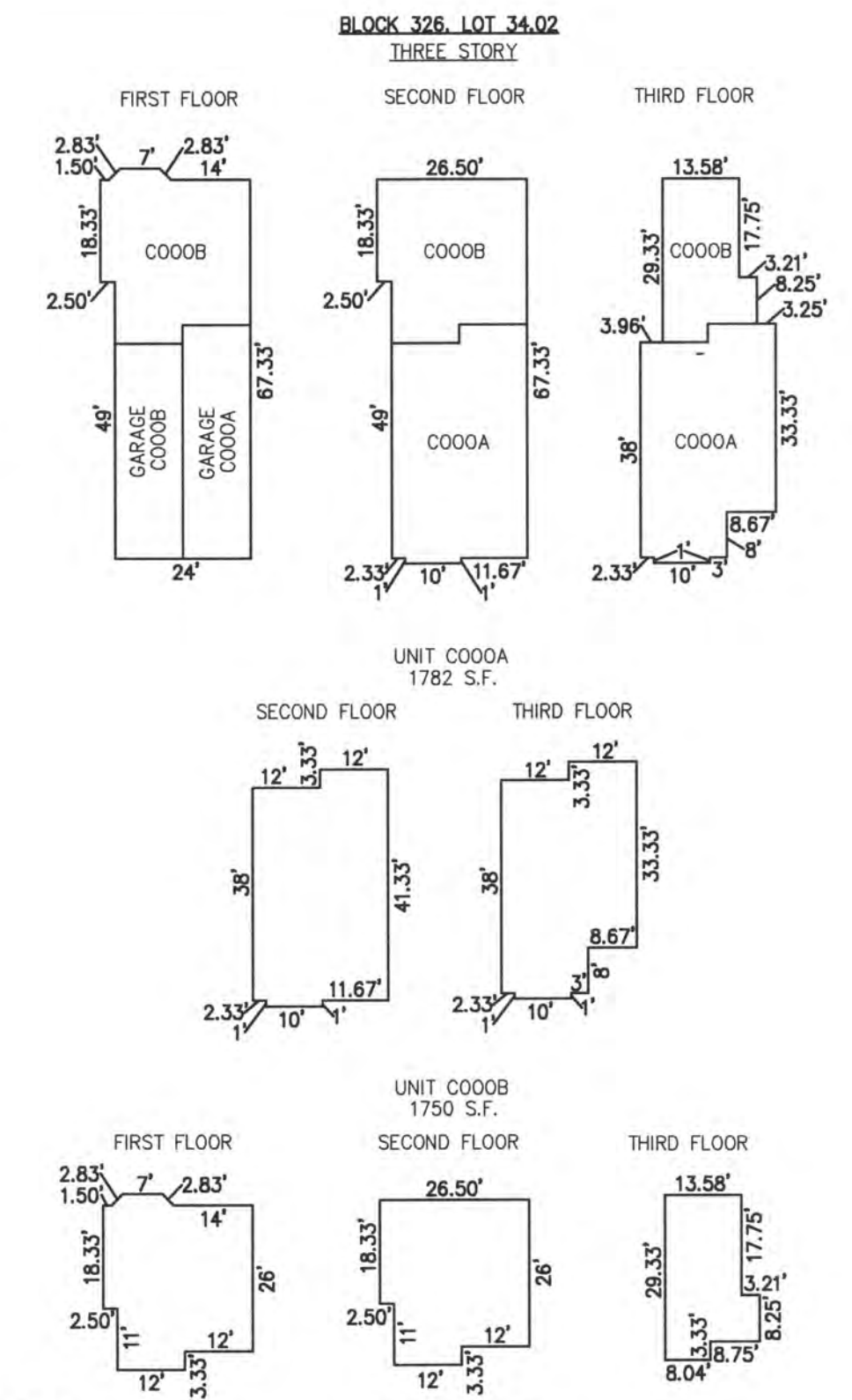


BLOCK 231, LOT 315
17-19 NORTH COOLIDGE AVENUE CONDOMINIUM
17-19 NORTH COOLIDGE AVENUE
INSET "3C"

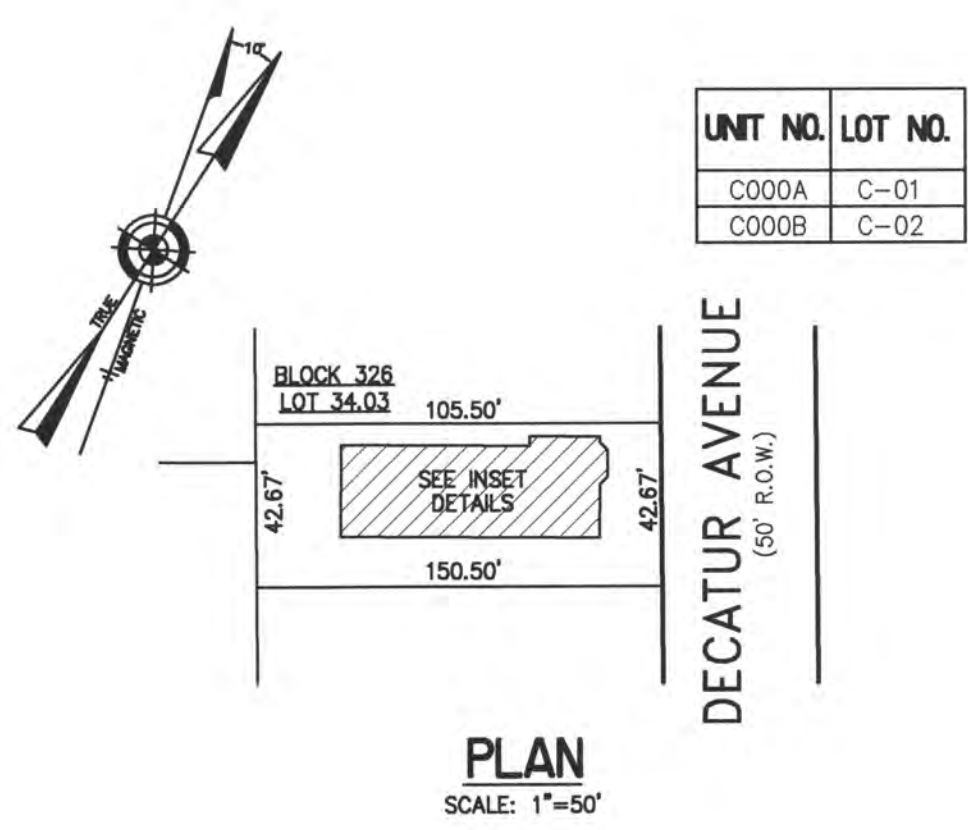
NOTE: 1. DIMENSIONS AND SQUARE FOOTAGE ARE TYPICAL FOR SIMILAR UNITS



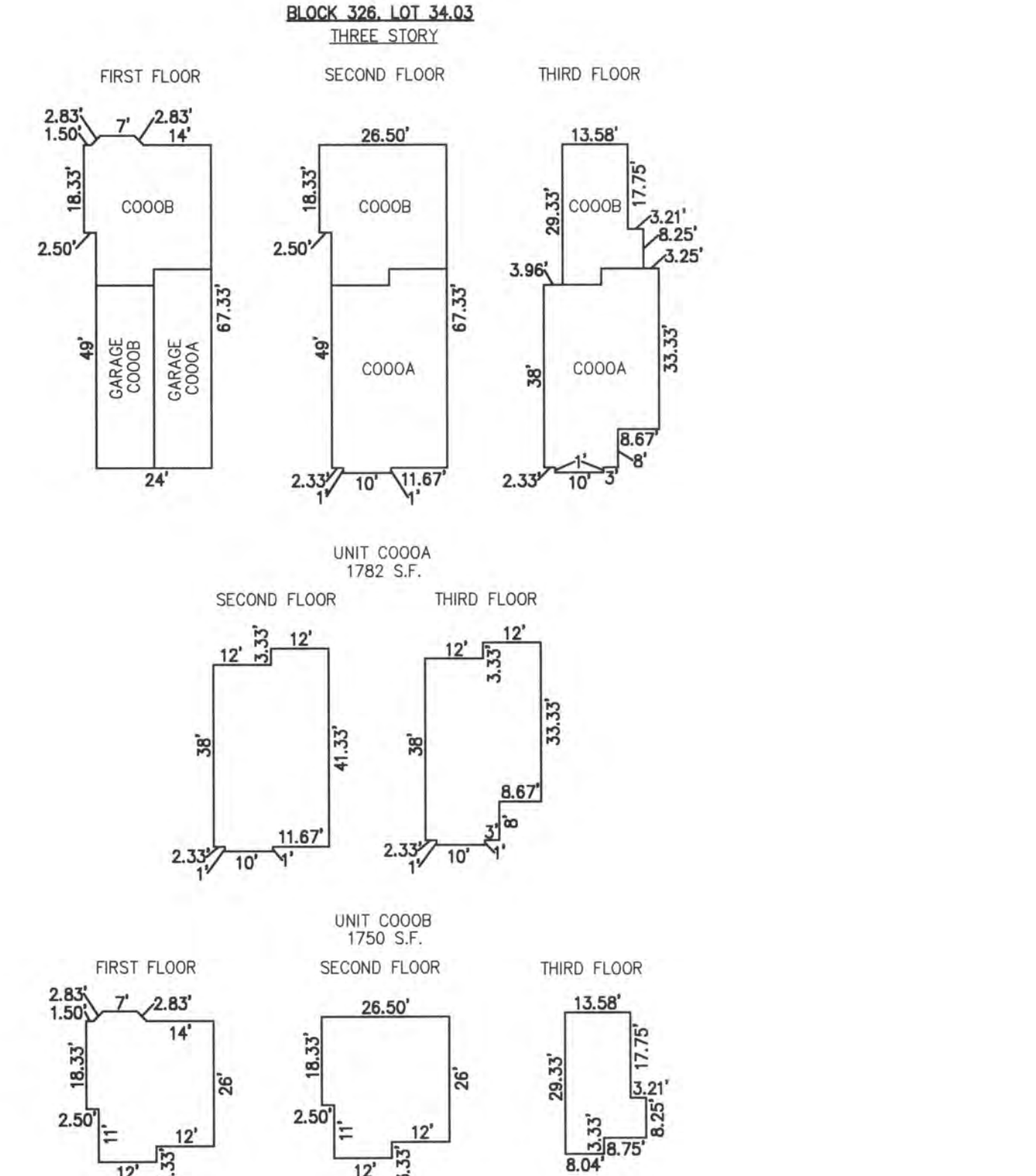
UNIT NO.	LOT NO.
C000A	C-01
C000B	C-02



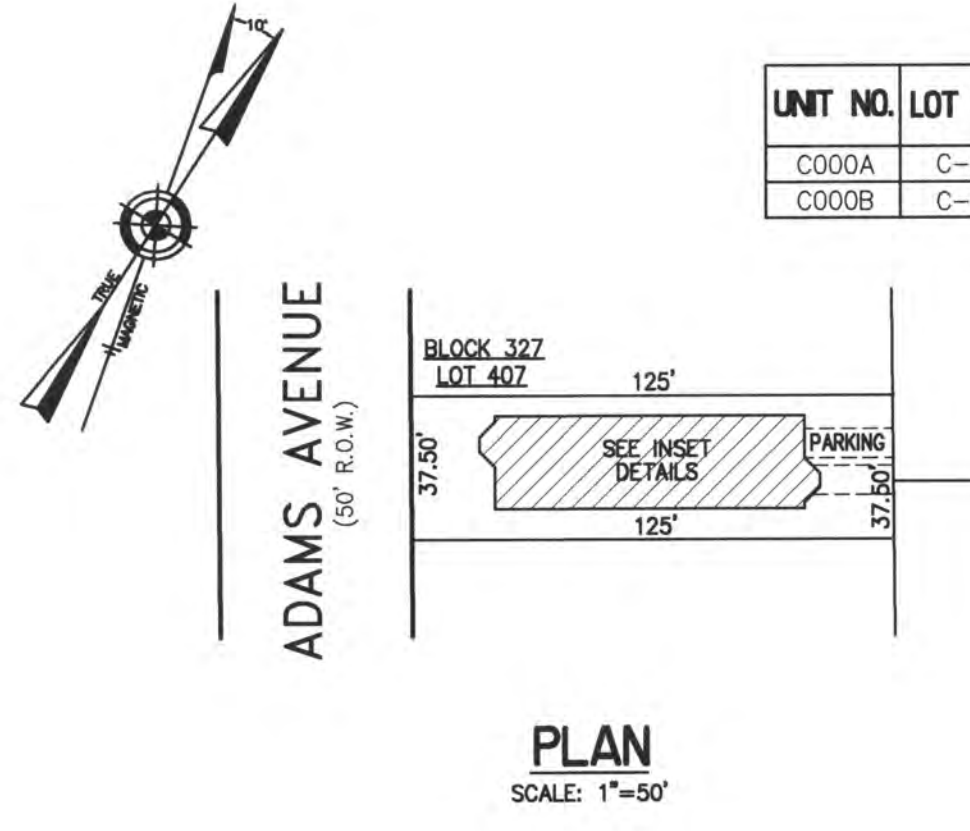
BLOCK 326, LOT 34.02
14 NORTH DECATUR CONDOMINIUM
14 NORTH DECATUR AVENUE
INSET "3F"



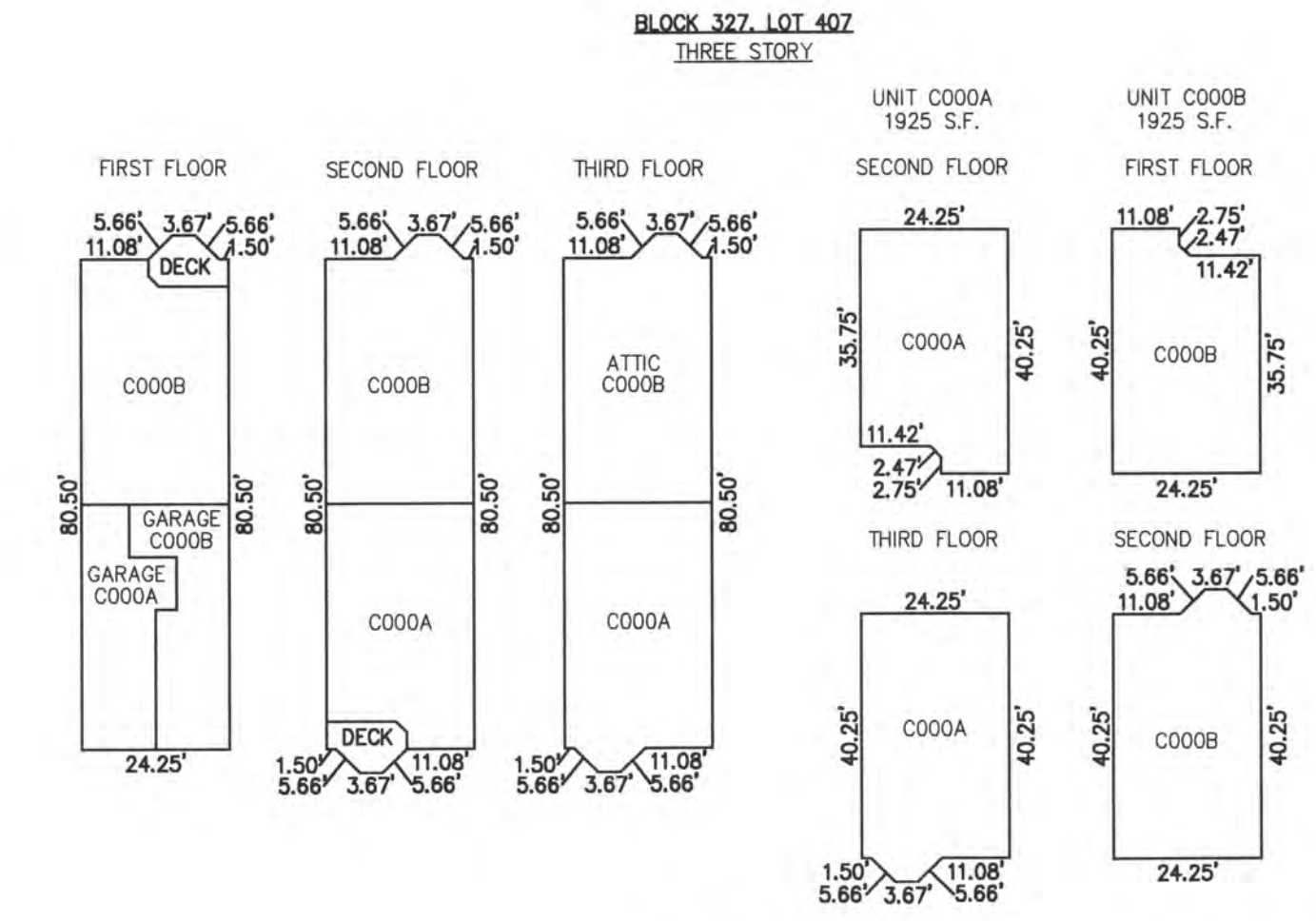
UNIT NO.	LOT NO.
C000A	C-01
C000B	C-02



BLOCK 326, LOT 34.03
112 NORTH DECATUR CONDOMINIUM
112 NORTH DECATUR AVENUE
INSET "3G"



UNIT NO.	LOT NO.
C000A	C-01
C000B	C-02



BLOCK 327, LOT 407
112-113 NORTH ADAMS AVENUE CONDOMINIUM
112-113 NORTH ADAMS AVENUE
INSET "3H"

NOTE: 1. DIMENSIONS AND SQUARE FOOTAGE ARE TYPICAL FOR SIMILAR UNITS

CONDOMINIUM DETAILS AND DIMENSIONS
BLOCK 326, LOT 34.02
BLOCK 326, LOT 34.03
BLOCK 327, LOT 407
BLOCK 231, LOT 315
SEE PLATE 5

"THIS TAX MAP PLATE HAS BEEN DIGITALLY DRAWN USING COMPUTER-AIDED DRAFTING/DESIGN (CADD) & COORDINATE GEOMETRY (COGO). IT IS BASED ON THE ORIGINAL DIGITALLY DRAWN TAX MAP PLATE BEARING THE OFFICIAL NEW JERSEY DIVISION TAXATION APPROVAL STAMP WITH APPROVAL DATE 6-3-2005 SERIAL NUMBER 846 AND SIGNATURES OF SIGNERS' THOMAS J. REILLY, CHIEF, LOCAL PROPERTY, FIELD ASSISTANCE; SANTO C. DIDONATO, SUPERVISING FIELD REPRESENTATIVE. THE ORIGINAL DIGITALLY DRAWN TAX MAP PLATE WITH THE OFFICIAL APPROVAL STAMP IS ON FILE WITH REMINGTON, VERNICK & WALBERG ENGINEERS."



TAX MAP
CITY OF MARGATE

ATLANTIC COUNTY NEW JERSEY
SCALE: AS NOTED DATE: 1-30-2004

CRAIG F. REMINGTON LAND SURVEYOR LIC. NO. 23924

REMINGTON, VERNICK & WALBERG ENGINEERS
24 GA 28048700
845 N. MAIN STREET, PLEASANTVILLE, NJ 08232
(609) 645-710, FAX (609) 645-7076
WEB SITE ADDRESS: WWW.RVE.COM