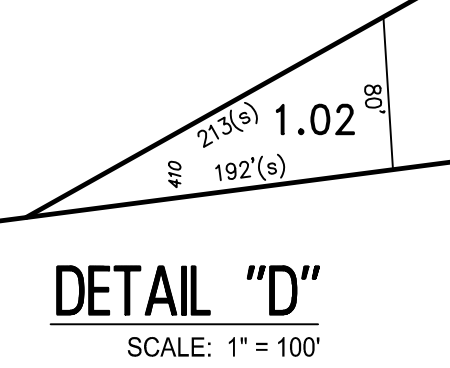
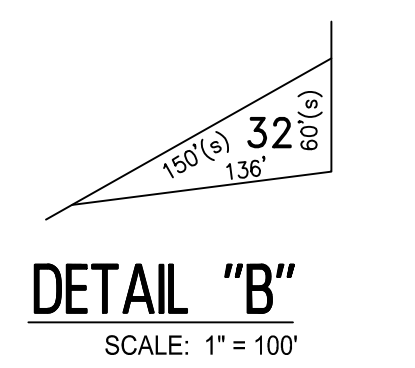
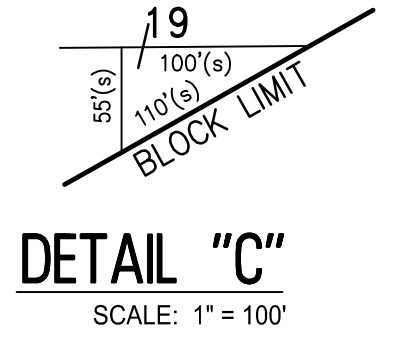
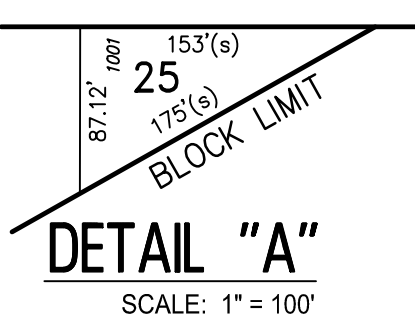
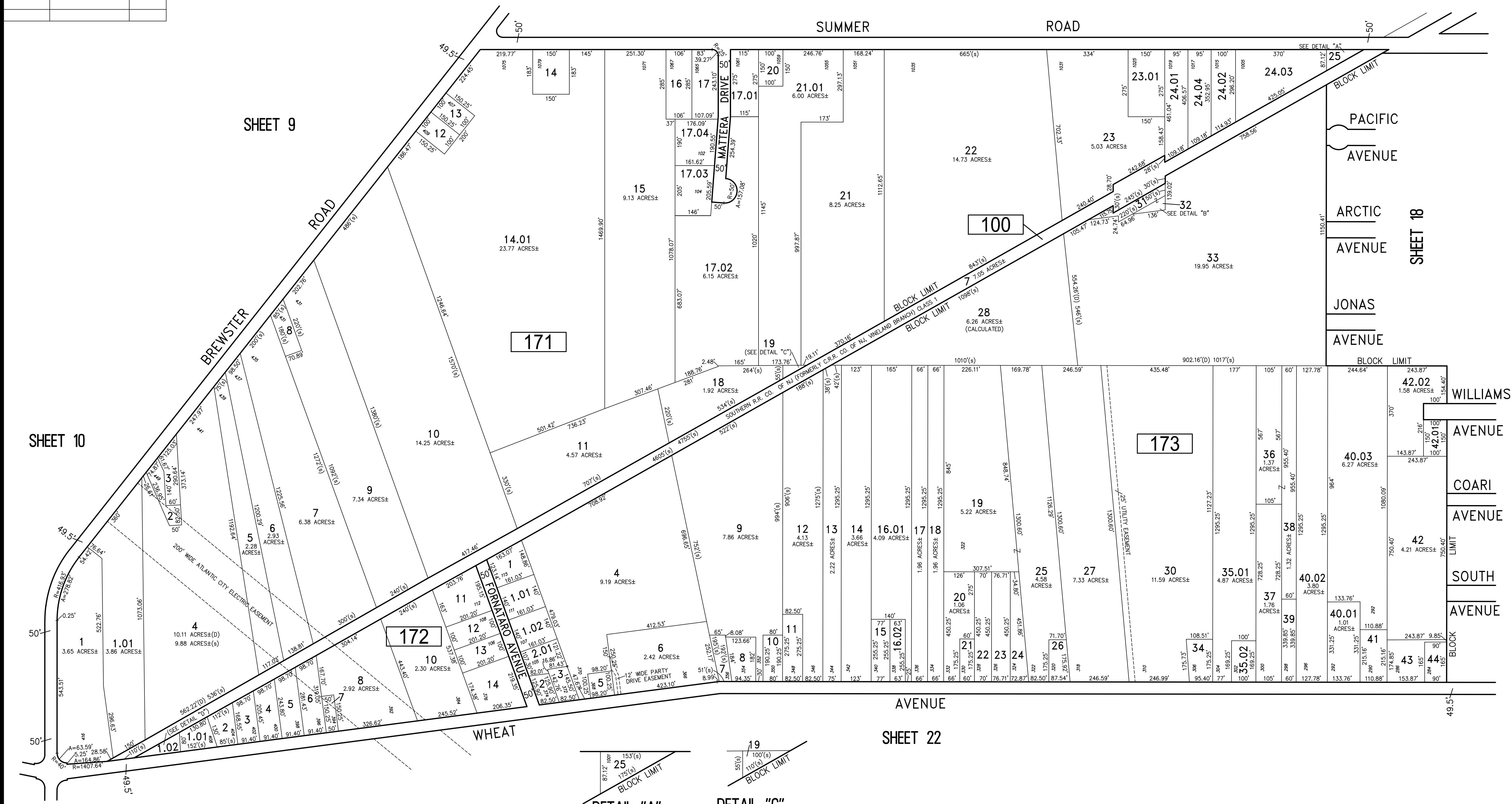
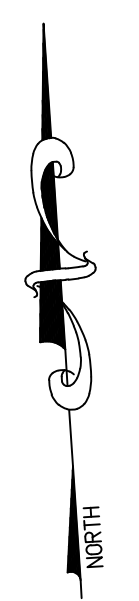


REVISIONS		
DATE	NAME	NO.
05-14-2020	CHARLES E. ADAMSON	42627

NOTE:  
THIS SHEET HAS BEEN DRAWN USING COMPUTER AIDED DRAFTING/DESIGN (CAD/D) AND COORDINATE GEOMETRY (COGO).

SHEET 11



**TAX MAP**  
**BOROUGH OF BUENA**  
ATLANTIC COUNTY NEW JERSEY  
SCALE: 1" = 200' DATE: 3-12-2019  
CHARLES E. ADAMSON N.J.P.L.S. LIC. NO. 42627

**REMINGTON & VERNICK ENGINEERS**  
845 N. MAIN STREET, PLEASANTVILLE, NJ, 08232  
(609) 645-7110, FAX (609) 645-7076, WEB SITE ADDRESS: WWW.RVE.COM  
Certificate of Authorization: 24 GA 28003300  
-ENGINEERING EXCELLENCE-