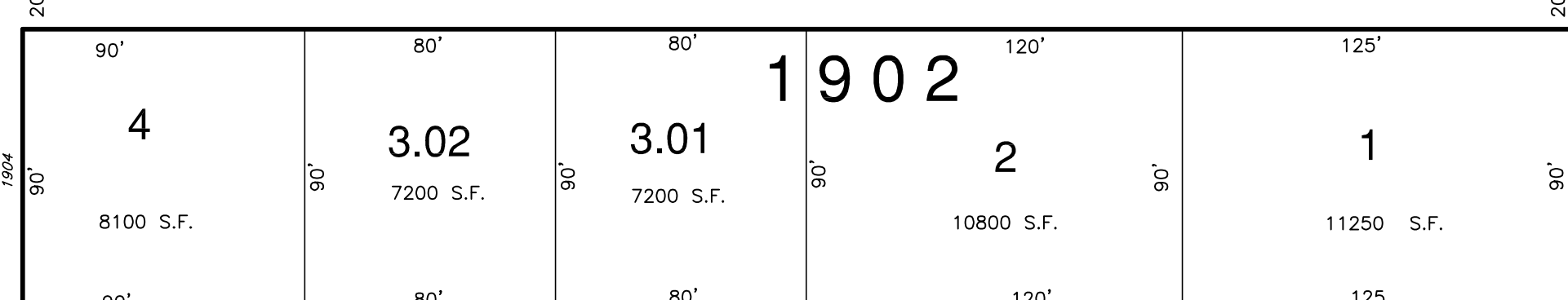
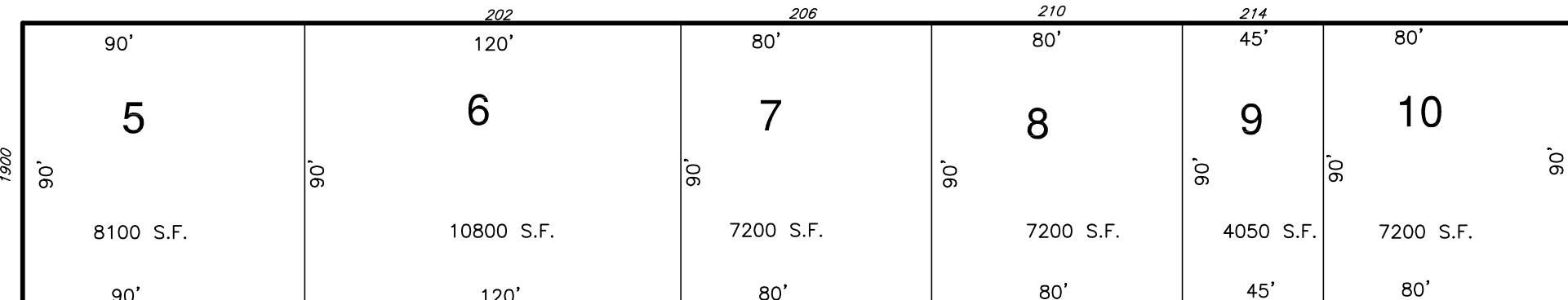
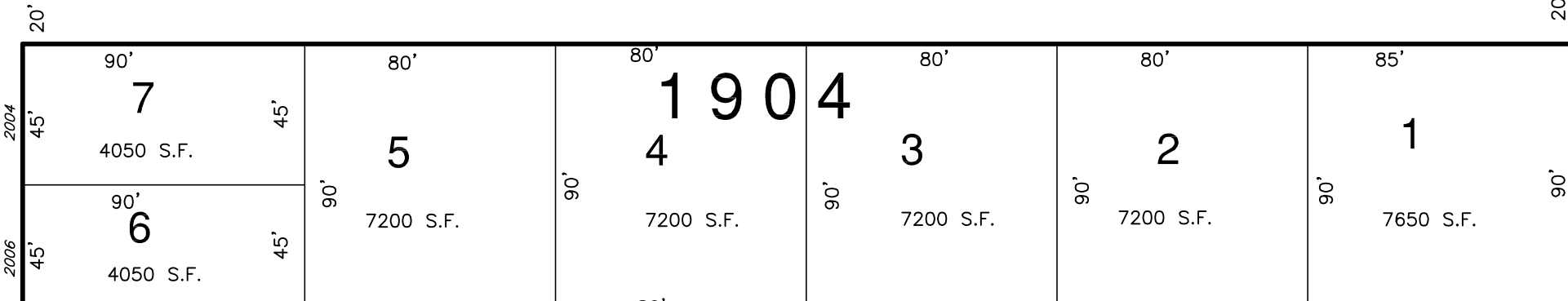
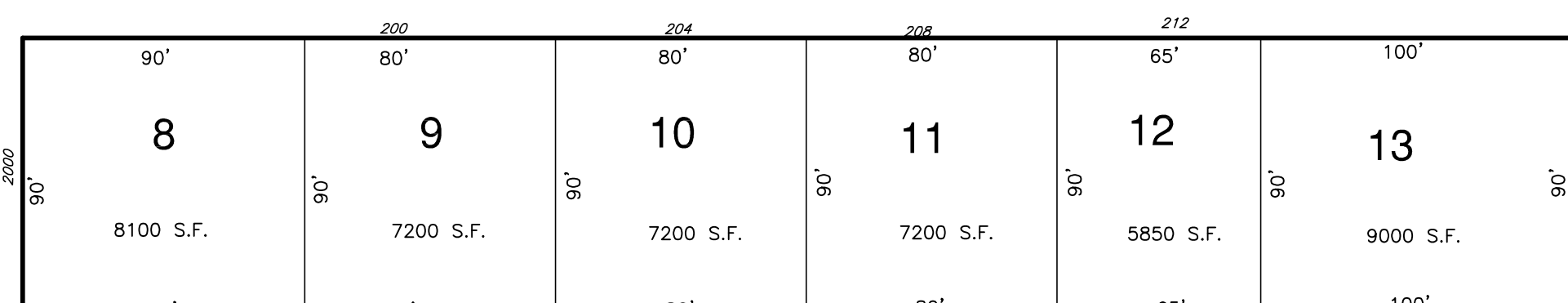


NINETEENTH

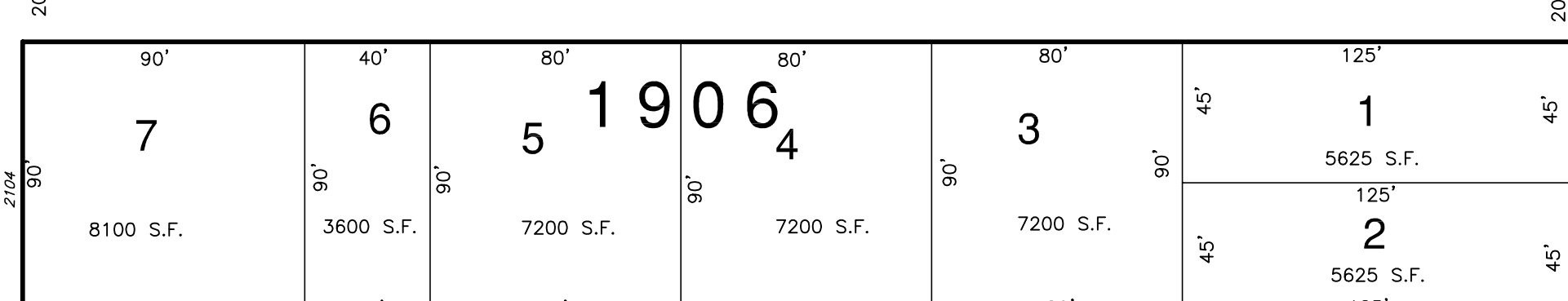
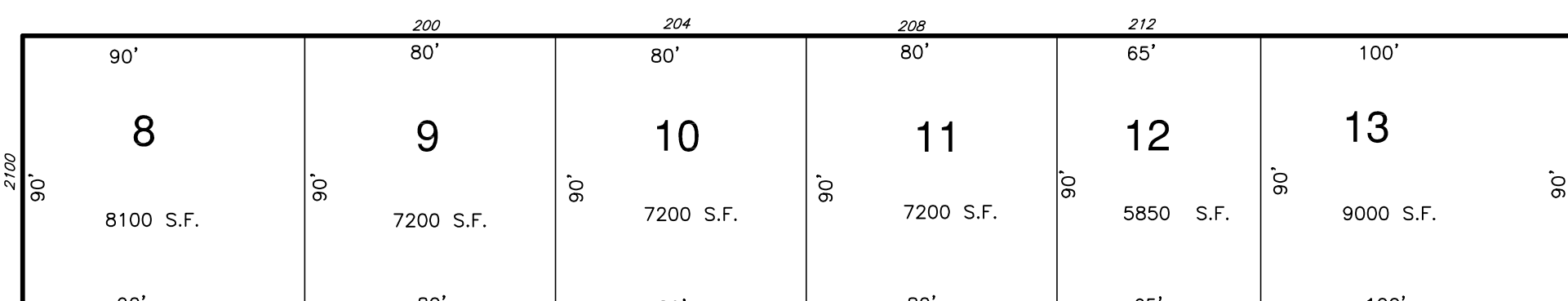


TWENTIETH



TWENTY

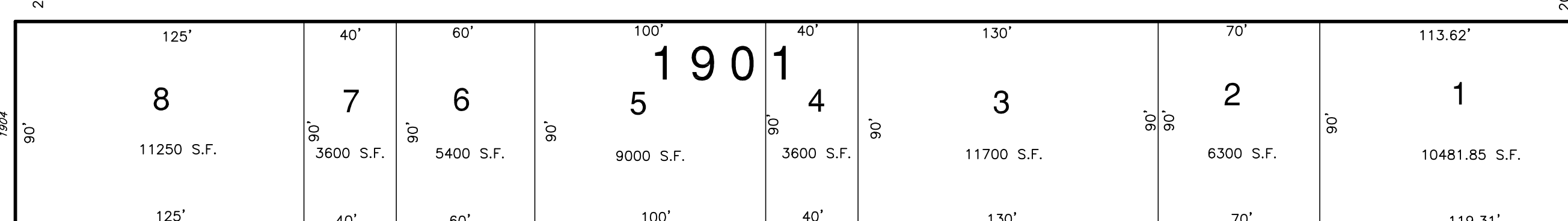
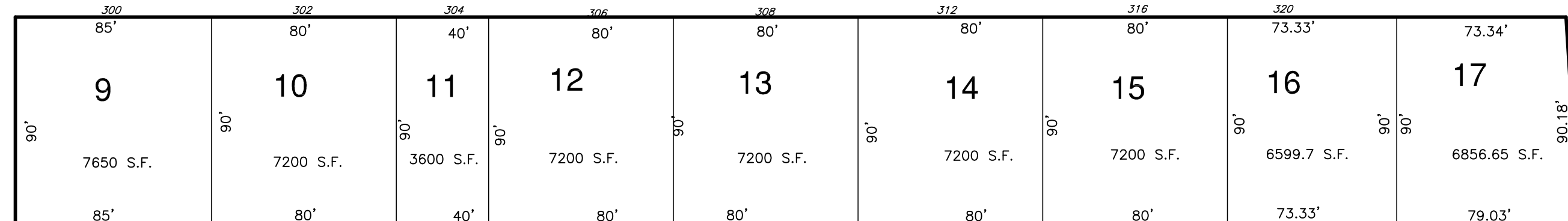
FIRST



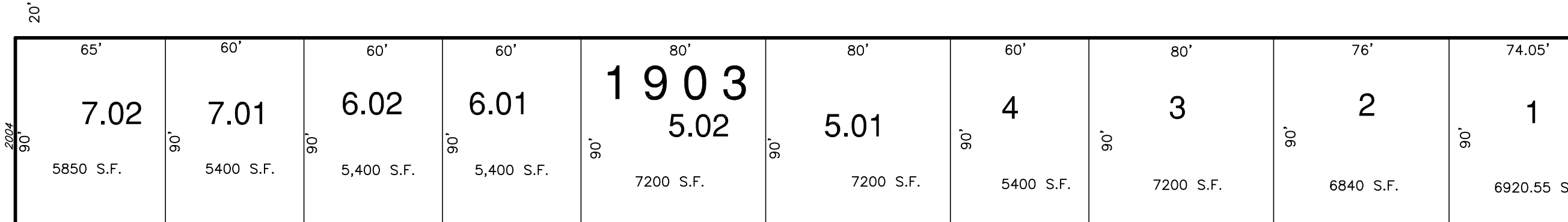
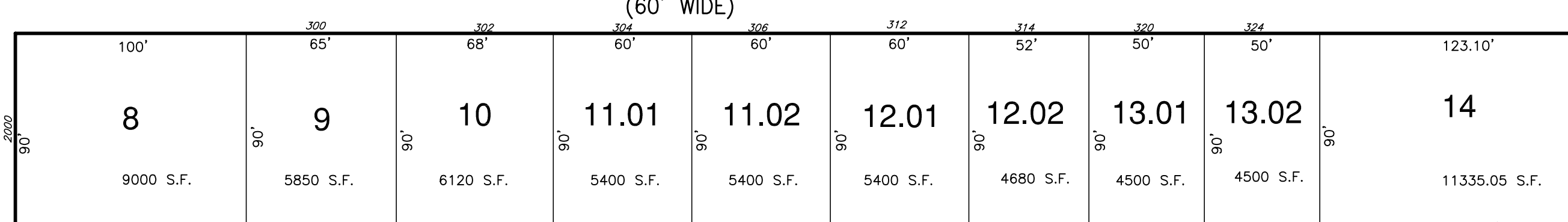
TWENTY

SECOND

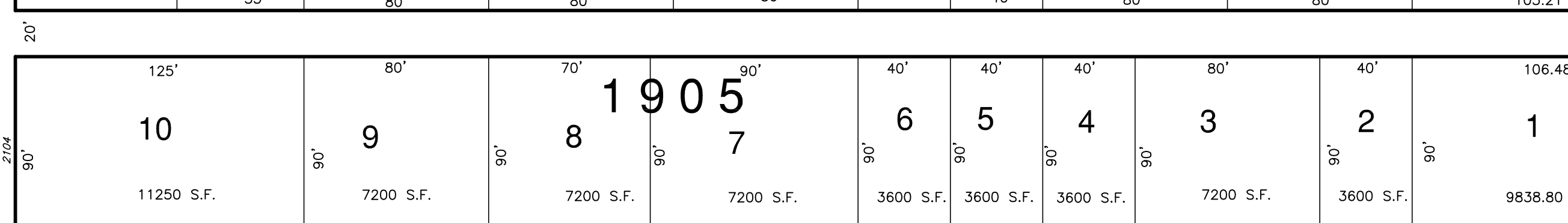
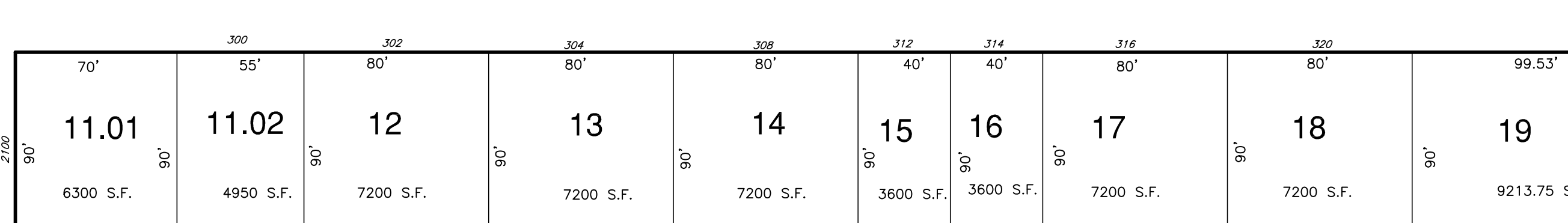
(60') STREET SOUTH (60' WIDE)



(60') STREET SOUTH (60' WIDE)



(60') STREET SOUTH



(60') STREET SOUTH (60' WIDE)



BOULEVARD

AVENUE

(100')

BRIGANTINE

(60') STREET SOUTH (60' WIDE)

AVENUE

(80')

OCEAN

SHEET 20

SHEET 14

SHEET 18

REVISIONS			
DATE	BY	LIC. No.	COMMENTS
1/1/18	MATTHEW F. DORAN	26273	BL. 1902 LOT 6

THIS SHEET HAS BEEN REDRAWN USING COMPUTER AIDED DRAFTING/DESIGN (CAD/D) BASED ON THE MAP PREPARED BY WILLIAM C. KISSANE, N.J. L.S. NO 17427. THIS SHEET WAS STAMPED ON APRIL 21, 1986 BY THE OFFICIAL NEW JERSEY DIVISION OF TAXATION AND ASSIGNED SERIAL NUMBER 656 SIGNED IVAN HAFKOWYCZ. THE ORIGINAL APPROVED MAP IS ON FILE IN THE OFFICE OF DORAN ENGINEERING, MATTHEW F. DORAN P.E., P.L.S. N.J. L.S. NO 26273.

TAX MAP
CITY OF BRIGANTINE
 ATLANTIC COUNTY, NEW JERSEY
 SCALE: 1" = 50'
 JANUARY 1986
MATTHEW F. DORAN P.E., P.L.S.
 PROFESSIONAL ENGINEER & LAND SURVEYOR
 NEW JERSEY LICENSE NO. 26273
 840 NORTH MAIN STREET
 PLEASANTVILLE NEW JERSEY, 08232
 TO SHOW CONDITIONS AS OF JAN. 1, 2012