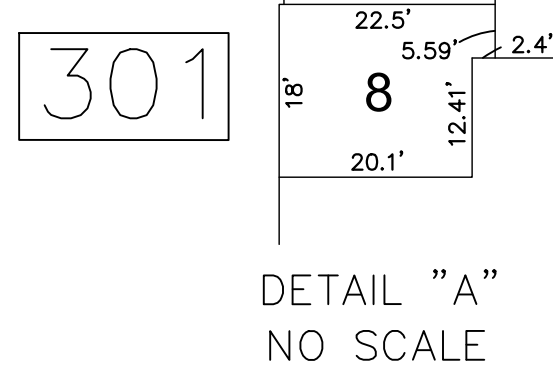
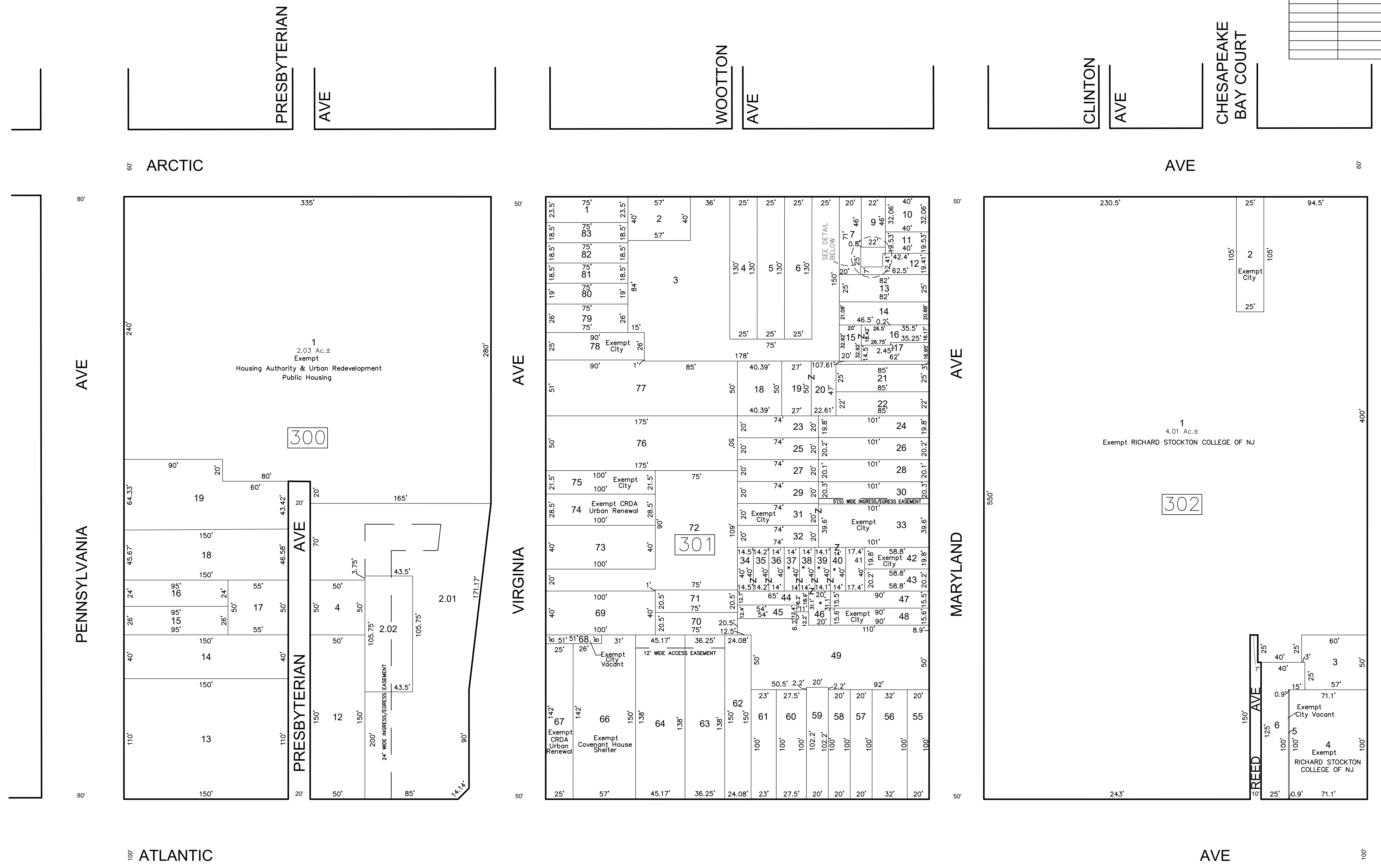


SHEET 54

REVISIONS				
DATE	BY	LIC. NO	BLOCK	LOT
05/2017	ED CLAY - ARH	34842	732	19-20

SHEET 50

SHEET 52



SHEET 26

LEGEND:

*	-	Exempt City of Atlantic City
---	---	------------------------------

THIS MAP HAS BEEN GIVEN A FORMAL CERTIFICATION BY THE DIVISION OF TAXATION ON NOVEMBER 25, 1997, SIGNED BY WILLIAM H. BLACK, CTA AND ASSIGNED SERIAL NUMBER 778

THIS SHEET HAS BEEN DRAWN USING COMPUTER AIDED DRAFTING/DESIGN (CAD/D)

TAX MAP
CITY OF ATLANTIC CITY

ATLANTIC COUNTY, NEW JERSEY
 SCALE: 1" = 50'
 DATE: AUG 1995

JOSEPH M DOLAN, PLS, PP

MUNICIPAL LAND SURVEYOR
 NEW JERSEY LICENSE NO. 23930
 OFFICE OF THE CITY ENGINEER
 603 CITY HALL
 ATLANTIC CITY, NEW JERSEY 08401

TO SHOW CONDITIONS AS OF MAY 2019
 COA# 24GA27973300