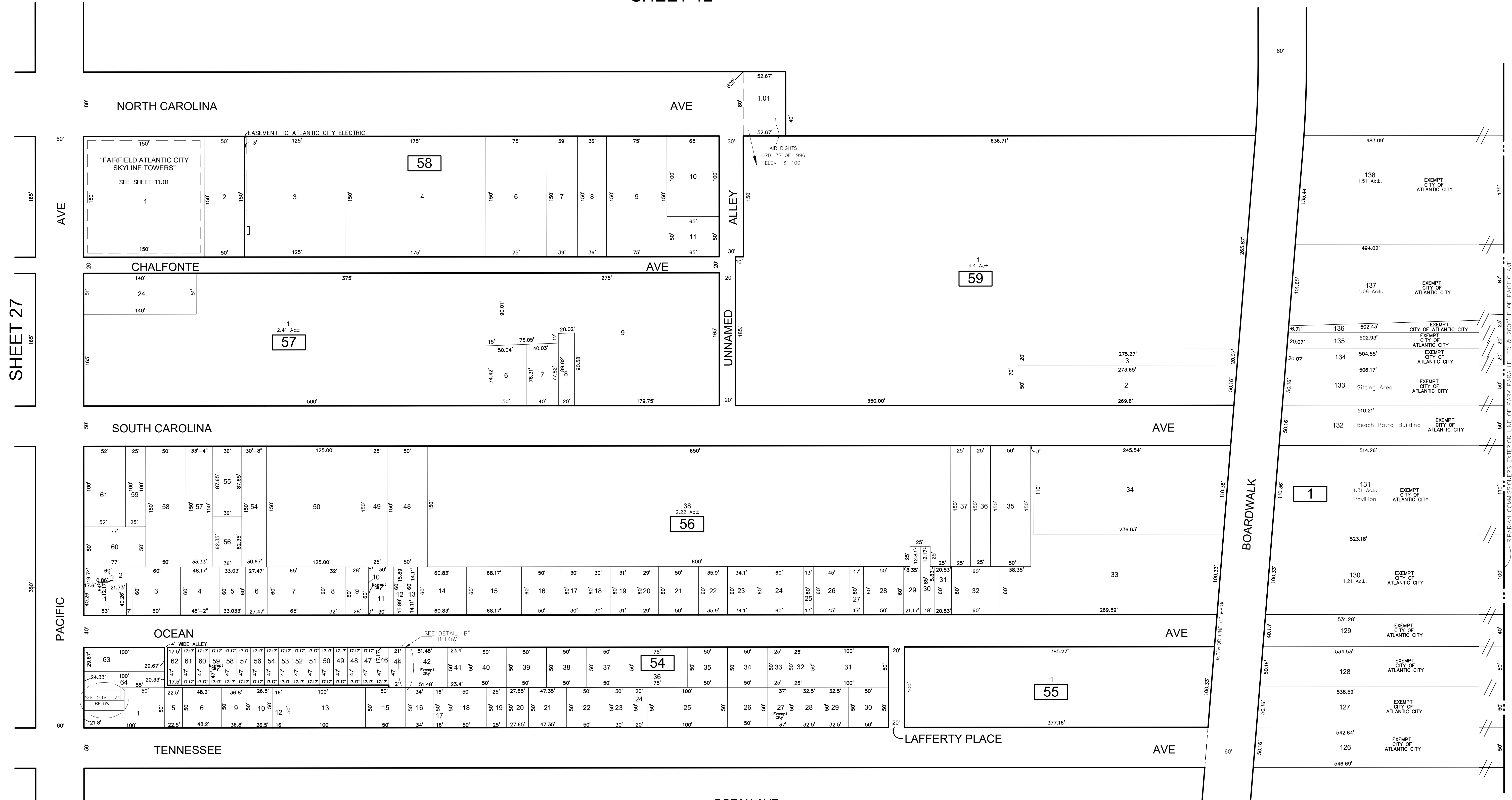
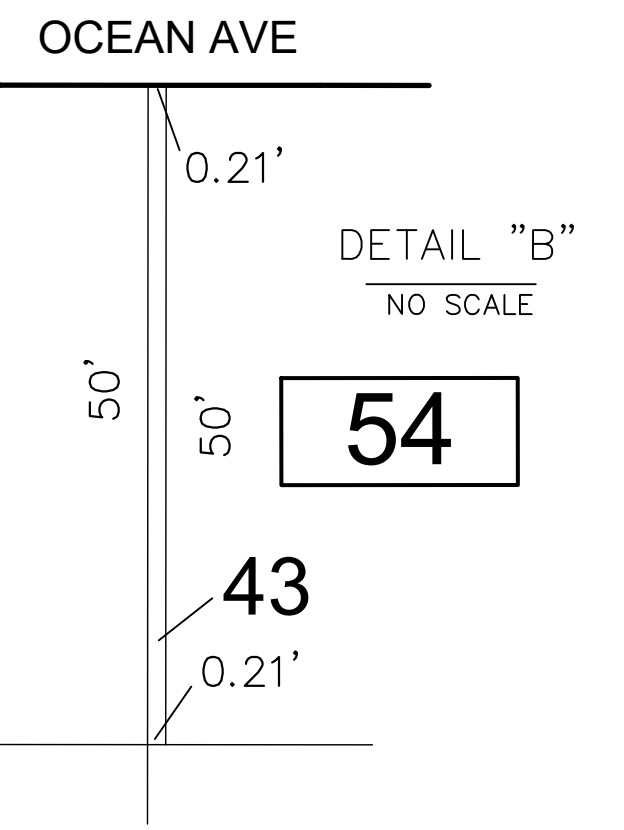
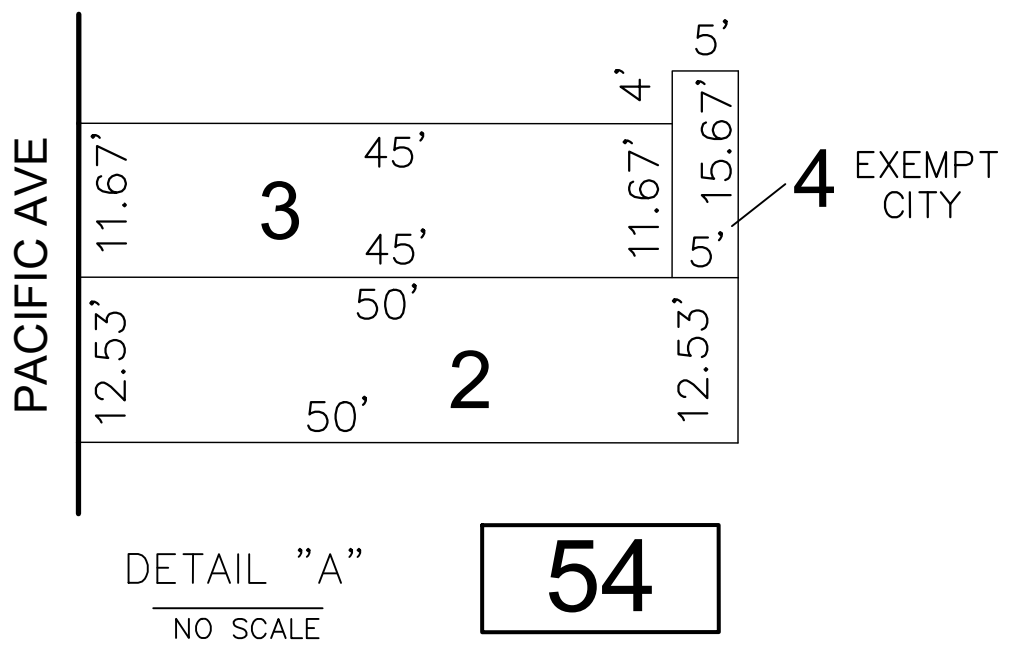


SHEET 12



\*-Air Rights at end of North Carolina are defined on Sheet 12.

REVISIONS				
DATE	BY	LIC. NO.	BLOCK	LOT
08/2013	CHARLES A. ATKINSON-ARH	33994	57	1
08/2013	CHARLES A. ATKINSON-ARH	33994	58	4
03/2014	CHARLES A. ATKINSON-ARH	33994	54	26
02/2015	CHARLES A. ATKINSON-ARH	33994	54	10
04/2019	ED CLAY	34842	54	26/27
04/2019	ED CLAY	34842	54	45



SHEET 10

THIS SHEET HAS BEEN DRAWN USING COMPUTER AIDED DRAFTING/DESIGN (CAD/D)

THIS MAP HAS BEEN GIVEN A FORMAL CERTIFICATION BY THE DIVISION OF TAXATION ON NOVEMBER 25, 1997, SIGNED BY WILLIAM H. BLACK, CTA AND ASSIGNED SERIAL NUMBER 778

**TAX MAP**  
**CITY OF ATLANTIC CITY**  
 ATLANTIC COUNTY, NEW JERSEY  
 SCALE: 1" = 60'  
**JOSEPH M DOLAN, PLS, PP**  
 MUNICIPAL LAND SURVEYOR  
 NEW JERSEY LICENSE NO. 23930  
 OFFICE OF THE CITY ENGINEER  
 603 CITY HALL  
 ATLANTIC CITY, NEW JERSEY 08401  
 TO SHOW CONDITIONS AS OF MAY 2019  
 COA# 24GA27973300