

"THE ENCLAVE"
CONDOMINIUMS
BLOCK 17

FLOORS 2-6 = PARKING

FIRST & SECOND FLOORS

QUAL	UNIT TYPE	FLOOR	SQ.FT
C0101		1 & 2	3108

FLOOR 1

QUAL	UNIT TYPE	FLOOR	SQ.FT
C0102		1	1040

FLOOR 7

QUAL	UNIT TYPE	FLOOR	SQ.FT
C0701		7	4138

TYPICAL FLOORS 8-12, 14-26

QUAL	UNIT TYPE	FLOOR	SQ.FT
C0801		8	1012
C0802		8	1012
C0803		8	760
C0804		8	760
C0805		8	490
C0806		8	490
C0807		8	490
C0808		8	490
C0809		8	760
C0810		8	760
C0811		8	1080
C0812		8	1080

9th FLOOR = 901 THROUGH 912
10th FLOOR = 1001 THROUGH 1012
11th FLOOR = 1101 THROUGH 1112

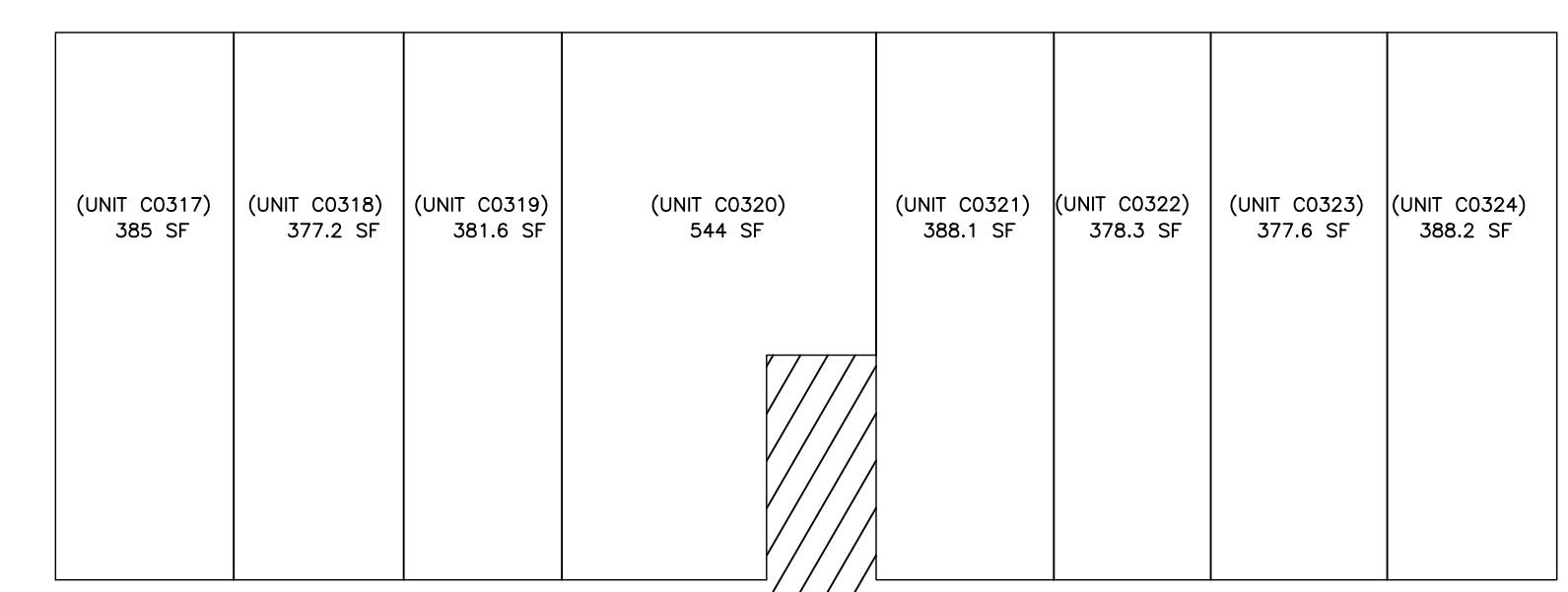
FLOOR 27

QUAL	UNIT TYPE	FLOOR	SQ.FT
C2701		27	1130
C2702		27	1130
C2703		27	1489
C2704		27	1489
C2705		27	832
C2706		27	832
C2707		27	832
C2708		27	832
C2709		27	1489
C2710		27	1489
C2711		27	1170
C2712		27	1170

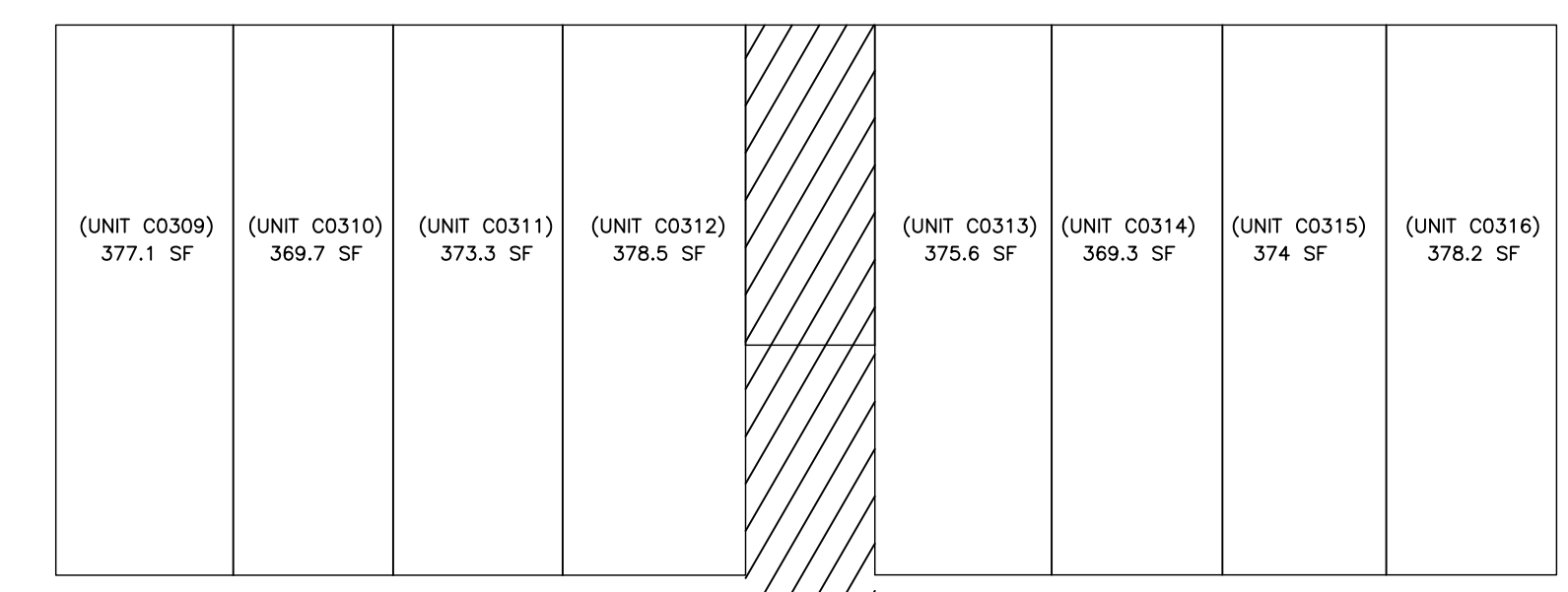
FLOOR 28

QUAL	UNIT TYPE	FLOOR	SQ.FT
C2801		27	1130
C2802		27	1130
C2803		27	1170
C2804		27	1170

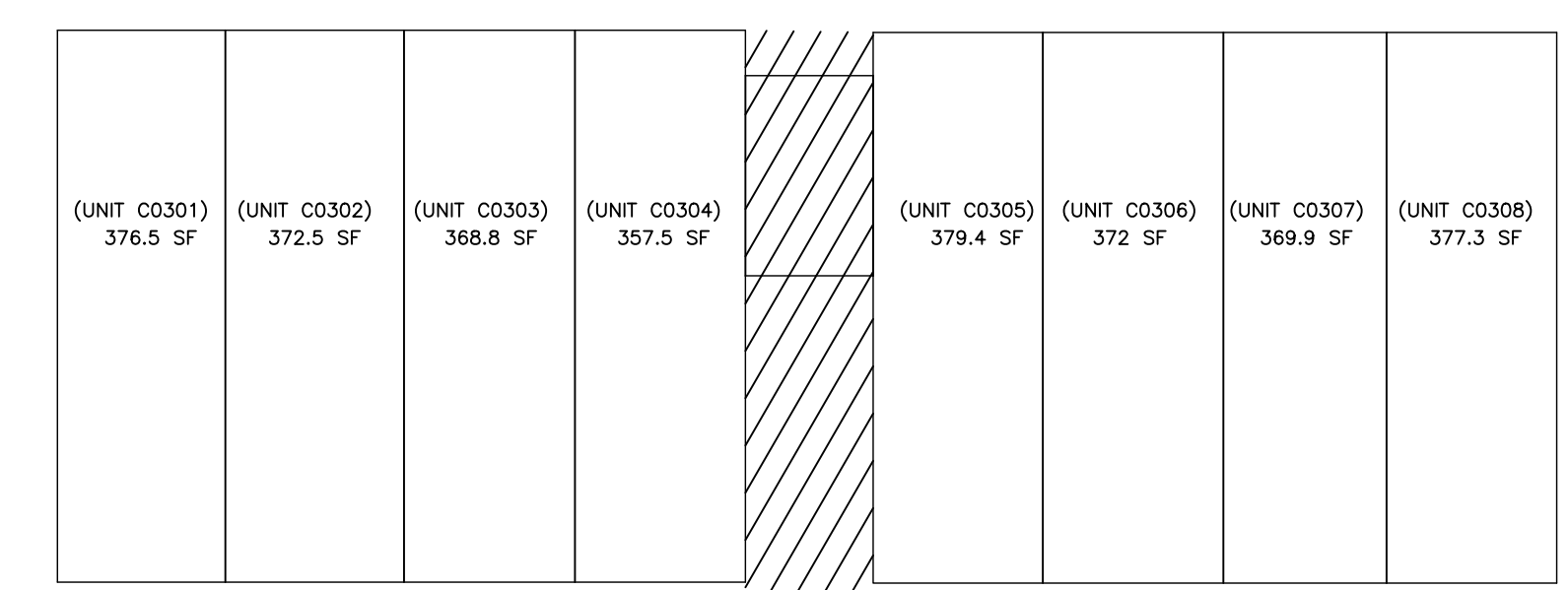
"ROOSEVELT BEACH"
CONDOMINIUMS
BLOCK 19



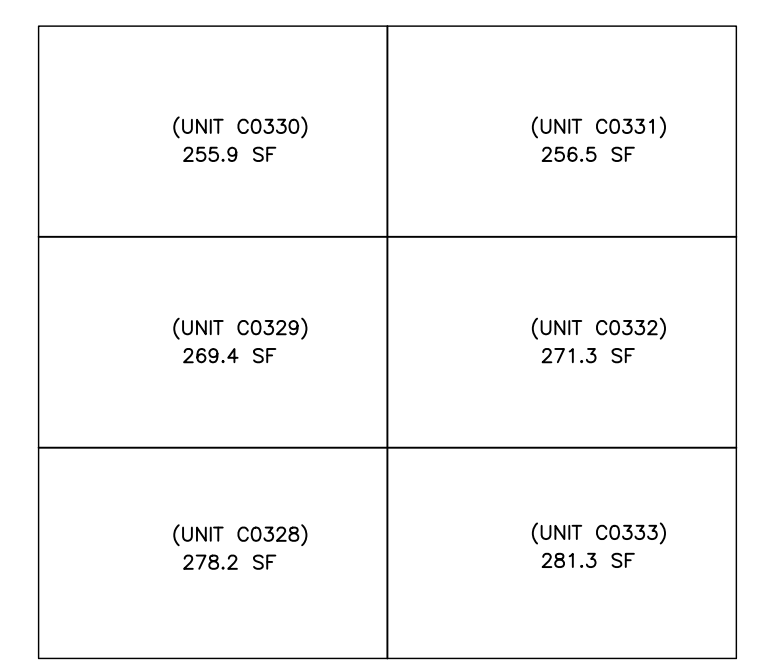
THIRD LEVEL BLD. 2



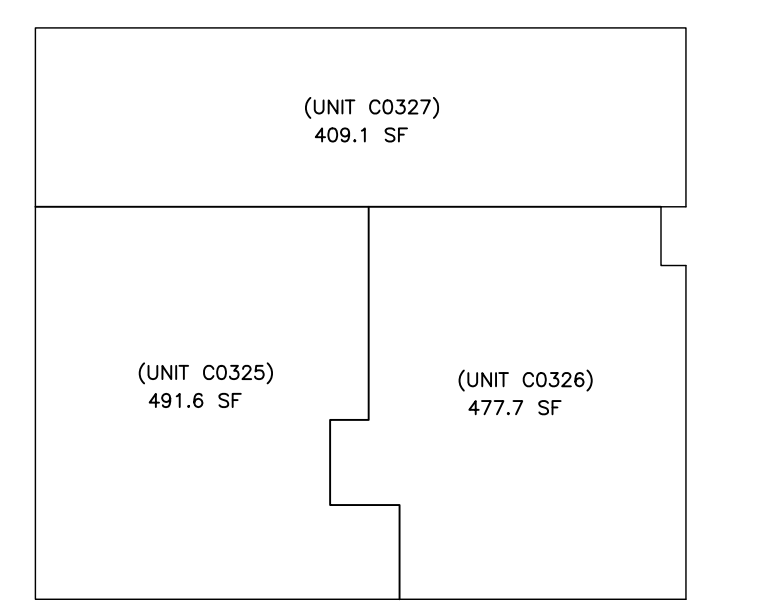
SECOND LEVEL BLD. 2



FIRST LEVEL BLD. 2



SECOND LEVEL BLD. 1



FIRST LEVEL BLD. 1

- COMMON AREA

THIS SHEET HAS BEEN DRAWN USING COMPUTER AIDED DRAFTING/DESIGN (CAD/D)

REVISIONS				
DATE	BY	LIC. NO.	BLOCK	LOT

THIS MAP HAS BEEN GIVEN A FORMAL CERTIFICATION BY THE DIVISION OF TAXATION ON NOVEMBER 25, 1997, SIGNED BY WILLIAM H. BLACK, CTA AND ASSIGNED SERIAL NUMBER 778

TAX MAP
CITY OF ATLANTIC CITY
ATLANTIC COUNTY, NEW JERSEY
NOT TO SCALE
JOSEPH M DOLAN, PLS, PP
MUNICIPAL LAND SURVEYOR
NEW JERSEY LICENSE NO. 23930
OFFICE OF THE CITY ENGINEER
603 CITY HALL
ATLANTIC CITY, NEW JERSEY 08401
TO SHOW CONDITIONS AS OF MAY 2019
COA# 24GA27973300