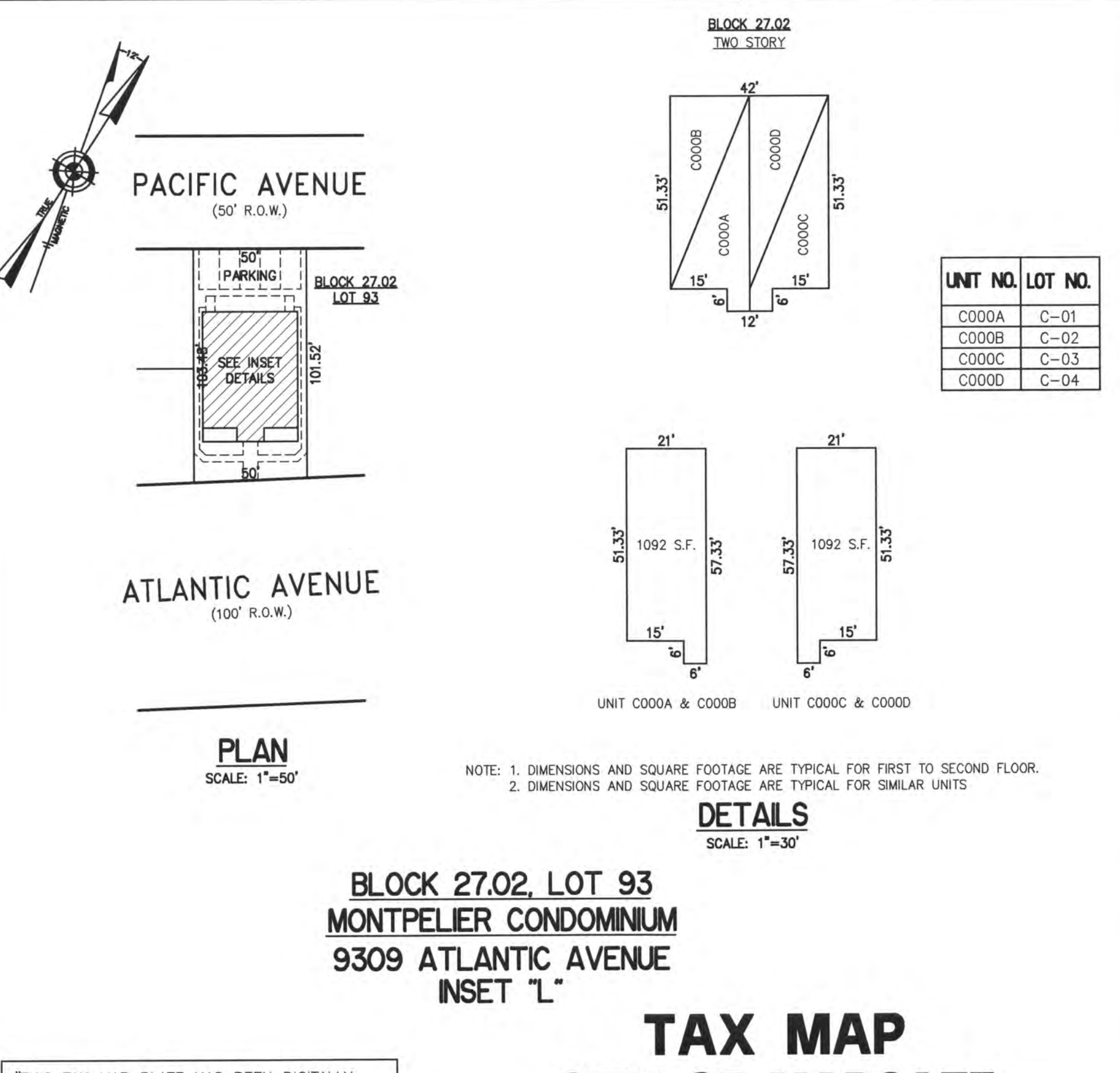
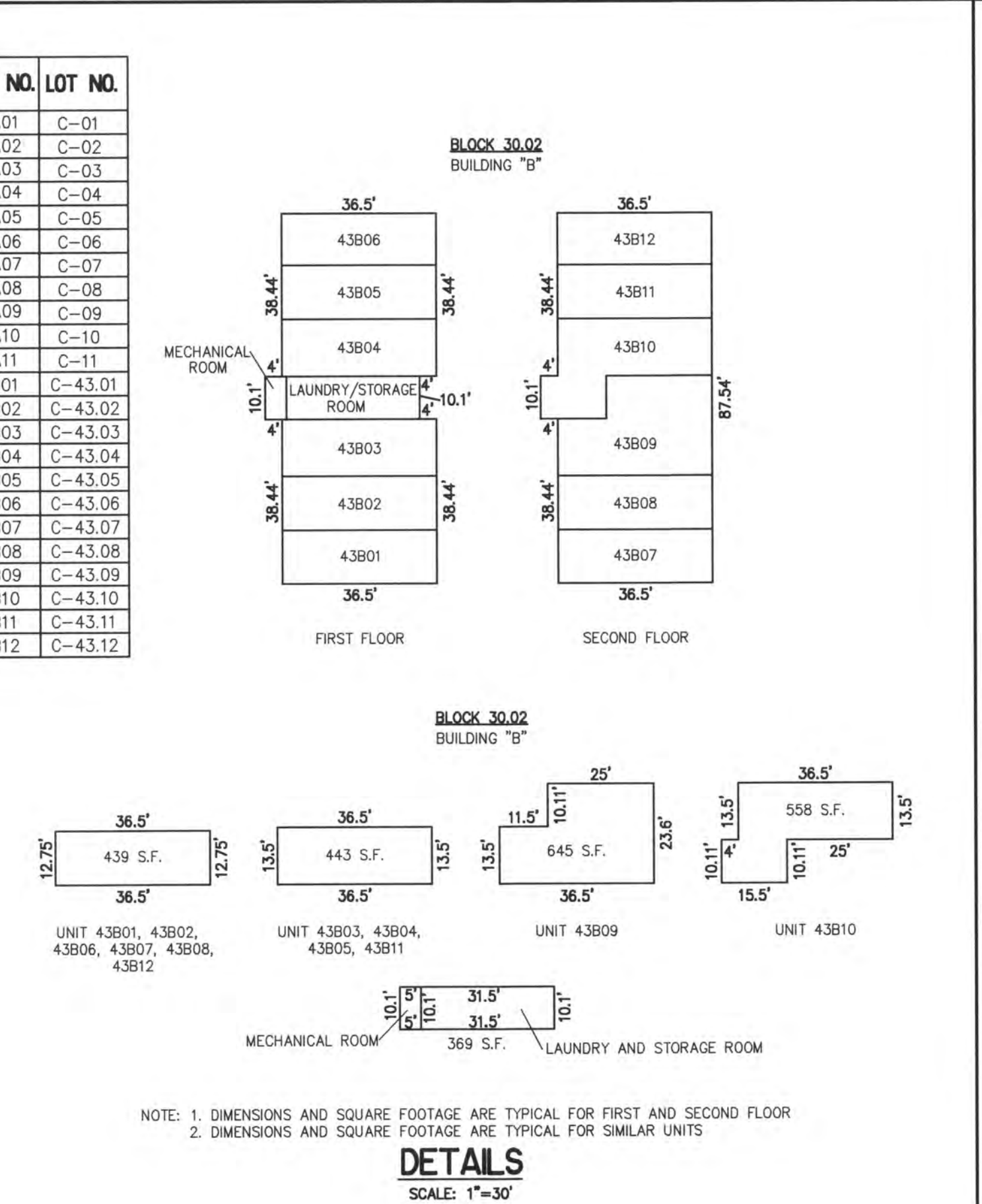
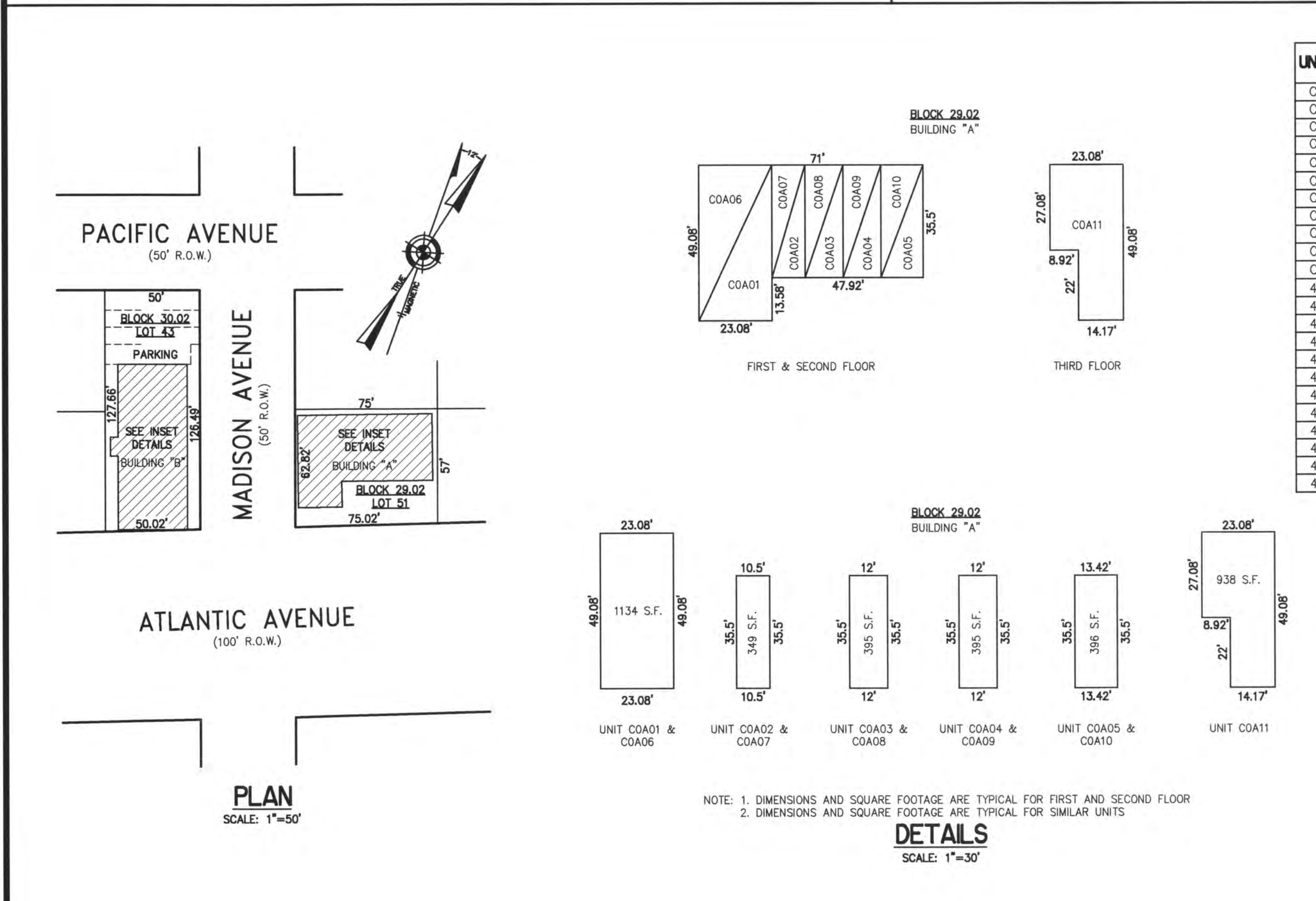
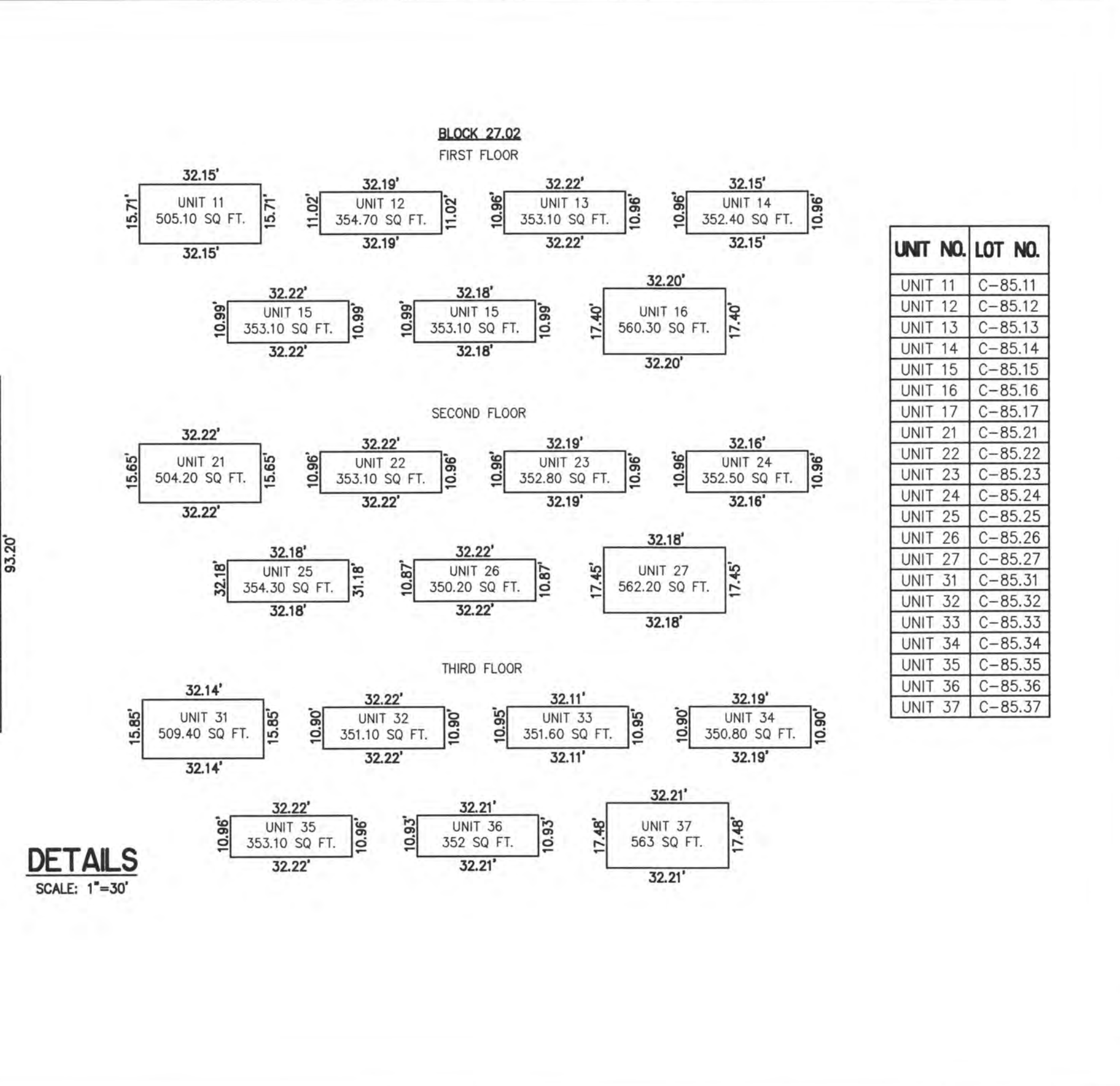
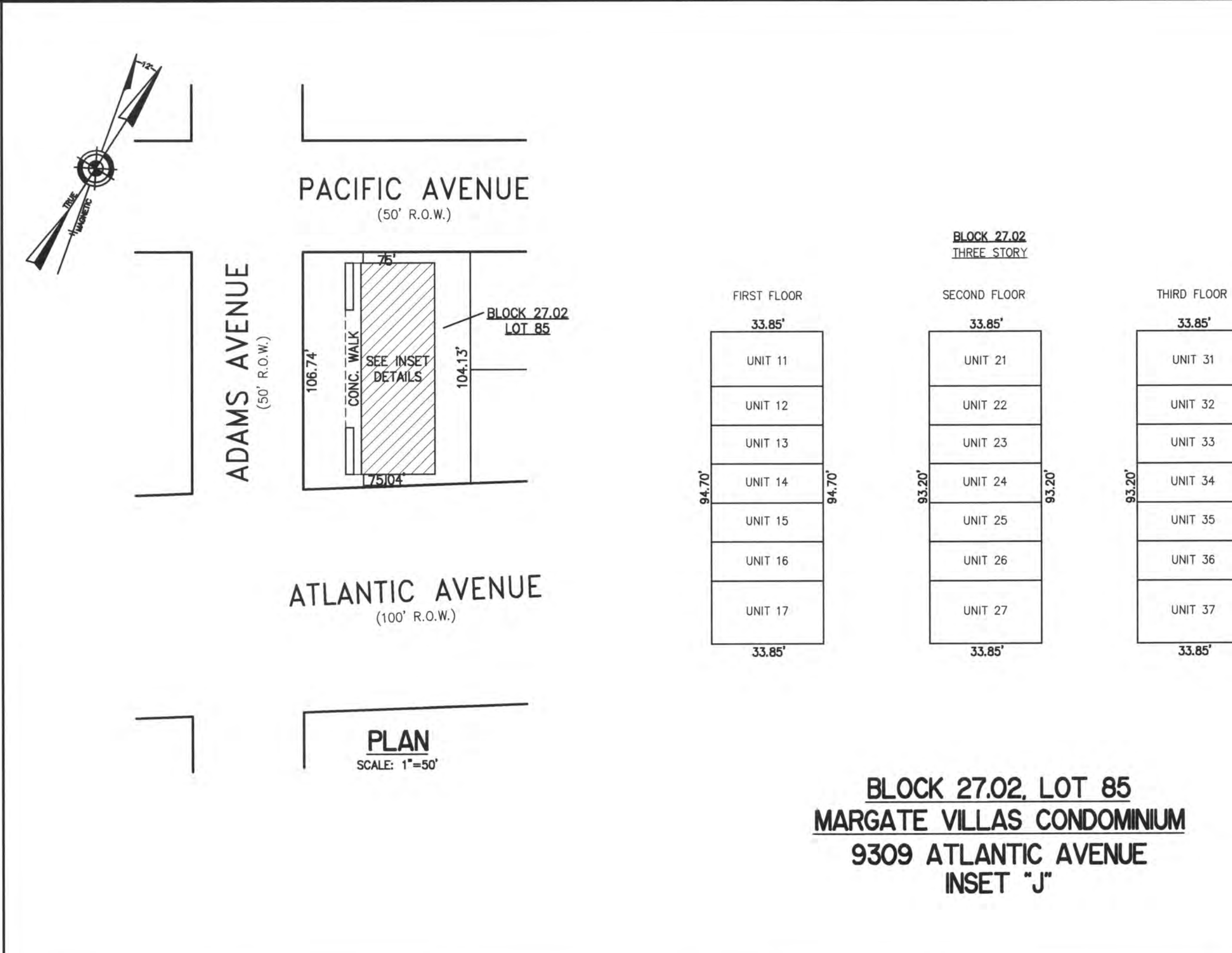
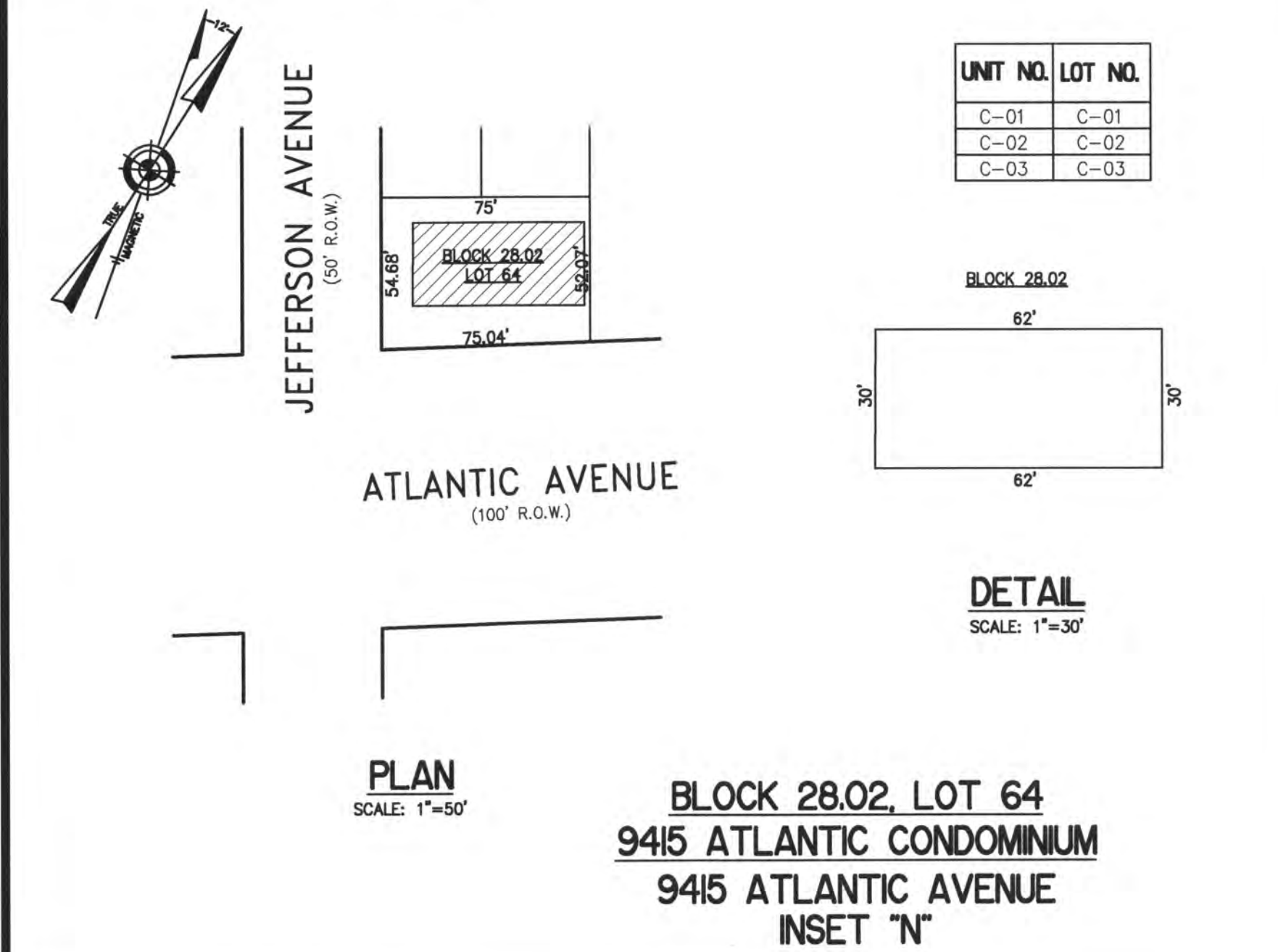


REVISIONS	



BLOCK 29.02, LOT 51
9517 ATLANTIC AVENUE
BLOCK 30.02, LOT 43
9601 ATLANTIC AVENUE
MADISON AVENUE CONDOMINIUM
INSET "P"

CONDOMINIUM DETAILS AND DIMENSIONS
BLOCK 27.02, LOT 85
BLOCK 27.02, LOT 93
BLOCK 28.02, LOT 64
BLOCK 29.02, LOT 51
BLOCK 30.02, LOT 43
SEE PLATE 4

TAX MAP
CITY OF MARGATE
 ATLANTIC COUNTY NEW JERSEY
 SCALE: AS NOTED DATE: 1-30-2004
CRAIG F. REMINGTON LAND SURVEYOR LIC. NO. 23924
REMINGTON, VERNICK & WALBERG ENGINEERS
 24 GA 28048700
 845 N. MAIN STREET, PLEASANTVILLE, N.J. 08232
 (609) 645-7700, FAX (609) 645-7076
 WEB SITE ADDRESS: WWW.RVWE.COM