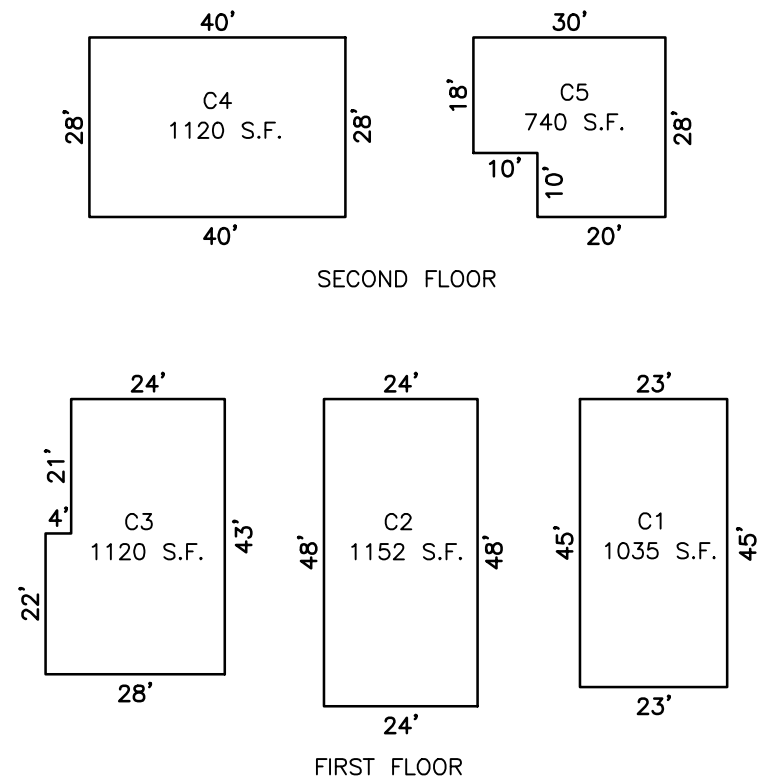


SHEET 19

SHEET 23

SHEET 25

SHEET 26



BLOCK 237, LOT 1
DETAIL "A"
 SCALE: 1"=30'

REVISIONS		
12-21-2011	CRAIG F. REMINGTON	23924
7-25-2014	CRAIG F. REMINGTON	23924
12-19-2016	CHARLES E. ADAMSON	42827

NOTE:
 THIS SHEET HAS BEEN REDRAWN USING COMPUTER AIDED DRAFTING/DESIGN (CADD) BASED ON THE MAP PREPARED BY RONALD J. PRICE, N.J. LICENSE NO. 13901, NORTHFIELD, NEW JERSEY.

"THIS TAX MAP PLATE HAS BEEN DIGITALLY DRAWN USING COMPUTER-AIDED DRAFTING/DESIGN (CADD) & COORDINATE GEOMETRY (COGO). IT IS BASED ON THE ORIGINAL DIGITALLY DRAWN TAX MAP PLATE BEARING THE OFFICIAL NEW JERSEY DIVISION TAXATION APPROVAL STAMP WITH APPROVAL DATE 01-09-2009 SERIAL NUMBER 929 AND SIGNATURES OF SIGNERS' THOMAS J. REILLY, CHIEF, LOCAL PROPERTY, FIELD ASSISTANCE, SANTO C. DIDONATO, SUPERVISING FIELD REPRESENTATIVE. THIS TAX MAP PLATE HAS BEEN DIGITALLY UPDATED TO REFLECT CURRENT CONDITIONS. THE ORIGINAL DIGITALLY DRAWN TAX MAP PLATE WITH THE OFFICIAL APPROVAL STAMP IS ON FILE WITH REMINGTON & VERNICK ENGINEERS."



TAXMAP
CITY OF ABSECON

ATLANTIC COUNTY NEW JERSEY
 SCALE: 1" = 100' DATE: 11-10-2005

CRAIG F. REMINGTON LAND SURVEYOR LIC. NO. 23924

REMINGTON, VERNICK & WALBERG ENGINEERS
 845 N. MAIN STREET, PLEASANTVILLE, N.J. 08232
 (609) 645-7100, FAX (609) 645-7076
 WEB SITE ADDRESS: WWW.RVW.COM

TO SHOW CONDITIONS AS OF 12-20-2018